

Technical Data Sheet

Astro PFP FR Acrylic

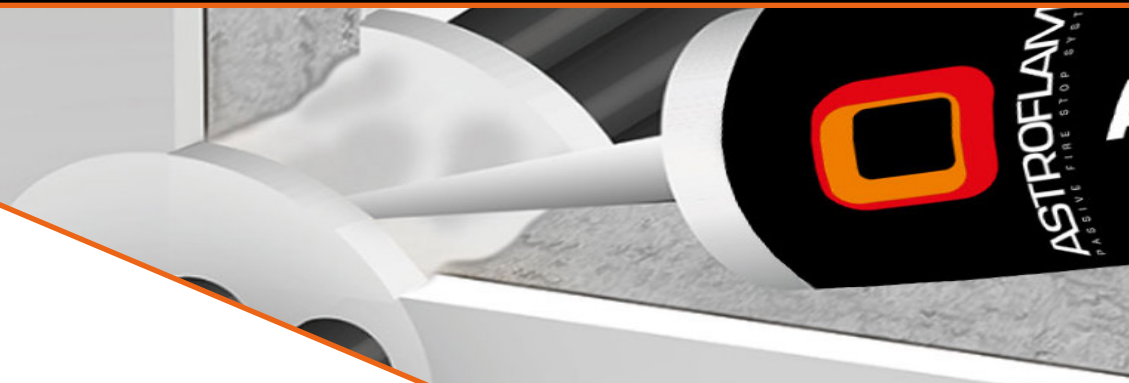
Revision 4 - 11th January 2024



0843-UKTA-23/0027 | 23/0028
0843-CPR-1319



CE-ETA - 21/0030 | 21/0031
CE-2531-CPR-CX010147



> Technical Data	Product Overview	> Page 1
> Technical Data	Linear seals in floors	> Page 2-3
> Technical Data	Cables in floors	> Page 4
> Technical Data	Metal pipes in floors	> Page 5-10
> Technical Data	Plastic pipes in floors	> Page 10-11
> Technical Data	Cables in composite floors	> Page 12
> Technical Data	Pipes in composite floors	> Page 12-16
> Technical Data	Cables in timber floors	> Page 16
> Technical Data	Metal pipes in timber floors	> Page 16-17
> Technical Data	Plastic pipes in timber floors	> Page 17-18
> Technical Data	Linear seals in masonry or concrete walls	> Page 18
> Technical Data	Cables in masonry or concrete walls	> Page 19-20
> Technical Data	Metal pipes in masonry or concrete walls	> Page 20-22
> Technical Data	Plastic pipes in masonry or concrete walls	> Page 22-23
> Technical Data	Linear seals in drywalls, masonry or concrete walls	> Page 23-25
> Technical Data	Cables in drywalls, masonry or concrete walls	> Page 25-26
> Technical Data	Metal pipes in drywalls, masonry or concrete walls	> Page 26-31
> Technical Data	Plastic pipes in drywalls, masonry or concrete walls	> Page 32-34
> Technical Data	Cables in timber walls	> Page 34-35
> Technical Data	Metal pipes in timber walls	> Page 35-36
> Technical Data	Plastic pipes in timber walls	> Page 37

General Product Description

Astro PFP FR Acrylic is a high specification formulation designed to prevent the spread of fire, smoke and gases through openings in fire rated walls and floors. Astro PFP FR Acrylic should be applied over suitable backing materials to ensure correct width to depth ratio, and to reduce shrinkage of the joint during hardening.

General Guide

Minimum separations and limitations: Services (single) can be sealed as specified in the detailed drawings.

Minimum separation between services and the edge of the seal within each aperture should be 10mm to allow for correct fitting of backing and seal depth. Minimum separation between apertures should be at least 30mm, except in timber constructions where apertures can be placed linear (horizontally in walls) with no required separation. For larger joint dimensions or apertures other than described in the detailed drawings, Astro PFP FR Board or Astro PFP EX Mortar should be used.

Supporting constructions: Flexible walls must have a minimum thickness of 75mm and comprise steel studs or timber studs*) lined on both faces with minimum 1 layer of 12.5mm thick boards. Timber walls must have a minimum thickness of 100mm and comprise solid wood or crosslaminated timber. Rigid walls must have a minimum thickness of 75mm and comprise concrete, aerated concrete or masonry, with a minimum density of 650 kg/m³. Rigid floors must have a minimum thickness of 150mm (except composite floors) and comprise aerated concrete or concrete with a minimum density of 650 kg/m³. Timber floors must have a minimum thickness of 150mm and comprise solid wood or crosslaminated timber. The supporting construction must be classified in accordance with EN 13501-2 for the required fire resistance period.

*) Timber studs: no part of the penetration seal may be closer than 100mm to a stud, and minimum 100mm of insulation of class A1 or A2 according to EN 13501-1 must be provided within the cavity between the penetration seal and the stud. In linear seals, there is no minimum distance and insulation required.

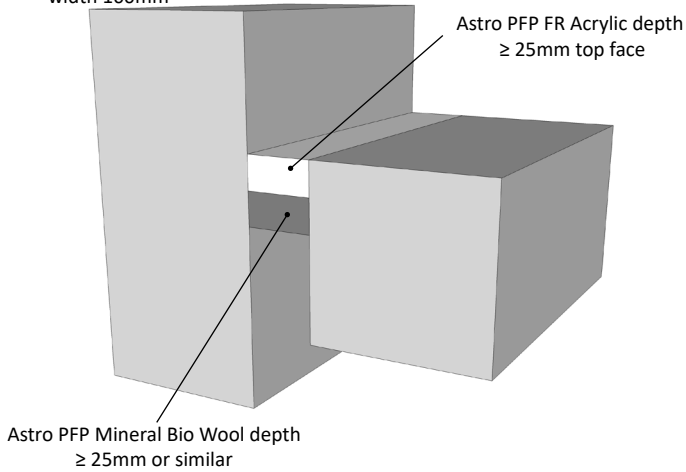
Installation

1. Before installing Astro PFP FR Acrylic, ensure that the surface of all service penetrations and surrounding construction is free from all loose contaminants, dust and grease.
2. Where Astro PFP FR Acrylic is to be installed against surfaces that cannot tolerate direct contact; appropriate surface preparation should be made (contact Polyseam for guidance in these cases). For paints sensitive to sealing compounds, priming with a PVA primer is recommended.
3. As Astro PFP FR Acrylic is water based, in cases where corrosion protection is a problem; some metals may require a barrier between the sealant and the metal surface prior to this installation.
4. When installing the sealant in gypsum boards, the exposed edges of the board can be wetted with water, or Astro PFP FR Acrylic diluted with water to prime the surfaces, helping adhesion and preventing excessive joint shrinkage.
5. When installing Astro PFP FR Acrylic in hollow floor slabs or boards, fire seals specified as single sided should be installed from the soffit side of the floor assuming there is sufficient thickness of concrete below the void to follow the installation guide. Where this is not the case, tubular voids should be filled with stone wool, normally the same thickness as the depth of the floor slab. Alternatively, simply fire seal on both sides.
6. When installing any backing material, cut this slightly oversize and insert into the gap ensuring a tight friction fit. Ensure correct depth is achieved.
7. Fill the gap or joint with Astro PFP FR Acrylic to the required depth. Refer to the drawings on following pages 2 to 37 for guidance on joint design/dimensions. If installation does not have to meet any specific fire specification, it is recommended that a width to depth ratio of 2:1 is utilized, with a minimum depth of 12mm of sealant.
8. Apply the sealant generously to prevent air bubbles. Finish the bead with a moist spatula, pallet knife or brush.
9. Astro PFP FR Acrylic can be over-painted with most emulsion or alkyd (gloss) paints.

LINEAR SEALS FIRE RESISTANCE EI 180 (E 180)

IN RIGID FLOORS OR BETWEEN FLOORS AND WALLS

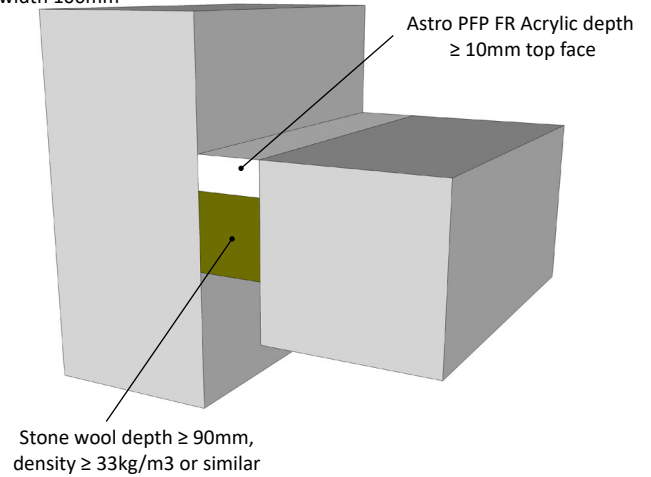
Maximum seal width 100mm



LINEAR SEALS FIRE RESISTANCE EI 240 (E 240)

IN RIGID FLOORS OR BETWEEN FLOORS AND WALLS

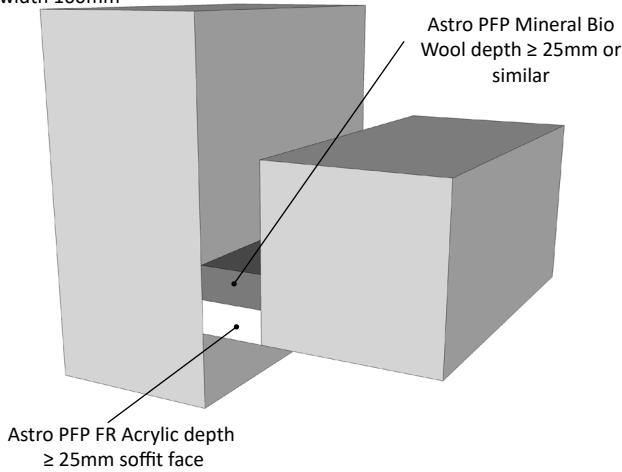
Maximum seal width 100mm



LINEAR SEALS FIRE RESISTANCE EI 60 (E 120)

IN RIGID FLOORS OR BETWEEN FLOORS AND WALLS

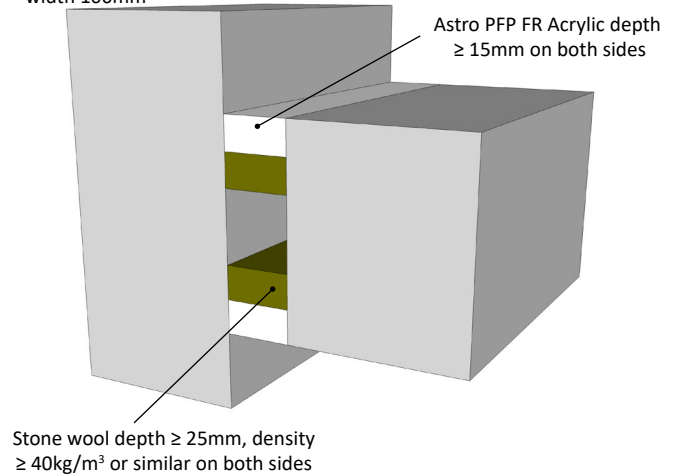
Maximum seal width 100mm



LINEAR SEALS FIRE RESISTANCE EI 120 (E 120)

IN RIGID FLOORS OR BETWEEN FLOORS AND WALLS

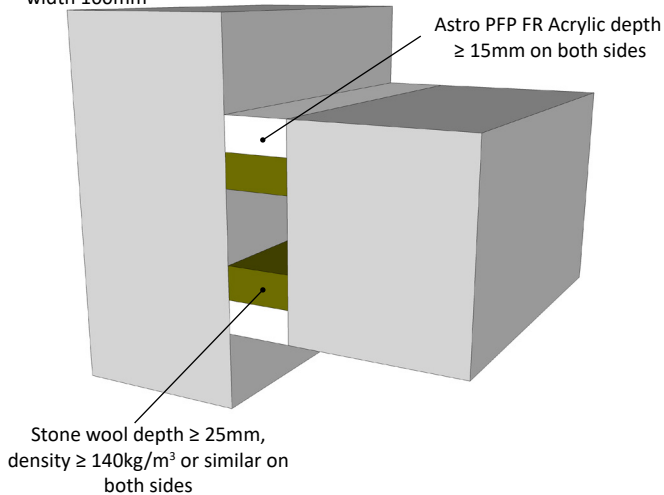
Maximum seal width 100mm



LINEAR SEALS FIRE RESISTANCE EI 180 (E 180)

IN RIGID FLOORS OR BETWEEN FLOORS AND WALLS

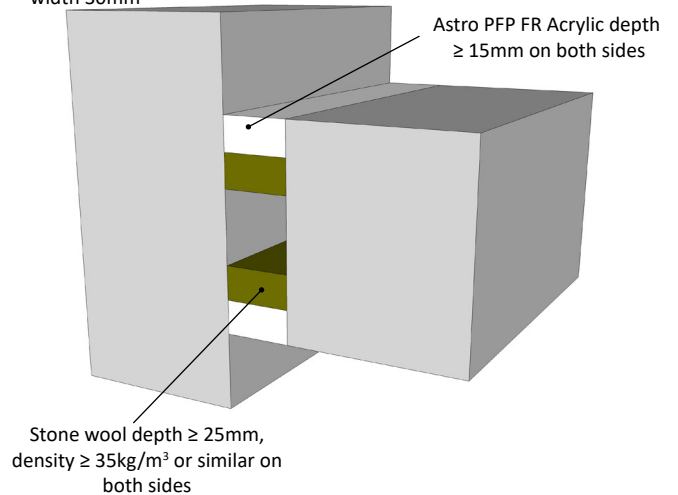
Maximum seal width 100mm



LINEAR SEALS FIRE RESISTANCE EI 240 (E 240)

IN RIGID FLOORS OR BETWEEN FLOORS AND WALLS

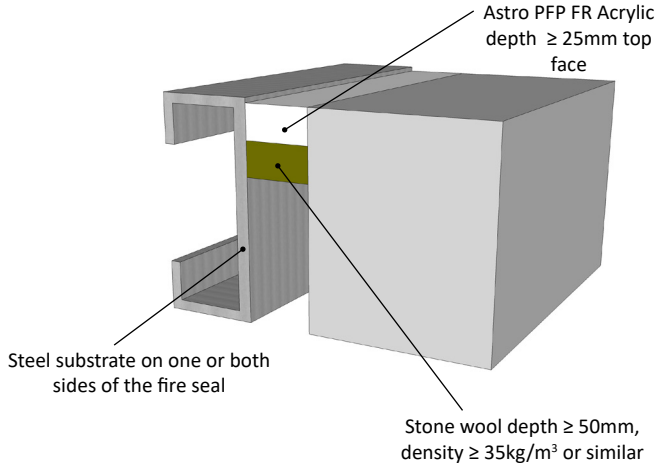
Maximum seal width 30mm



LINEAR SEALS FIRE RESISTANCE EI 30 (E 240)

IN RIGID FLOORS OR BETWEEN FLOORS AND WALLS

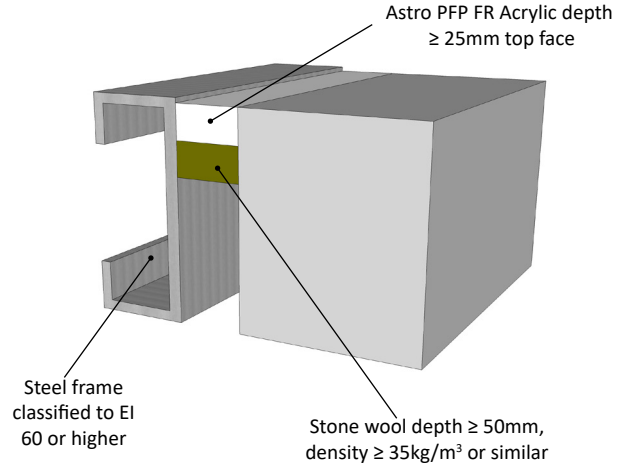
Maximum seal width 30mm



LINEAR SEALS FIRE RESISTANCE EI 60 (E 240)

IN RIGID FLOORS OR BETWEEN FLOORS AND WALLS

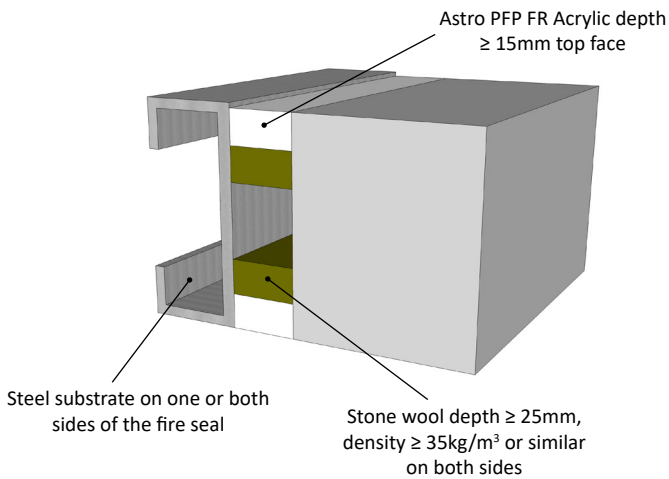
Maximum seal width 30mm



LINEAR SEALS FIRE RESISTANCE EI 45 (E 240)

IN RIGID FLOORS OR BETWEEN FLOORS AND WALLS

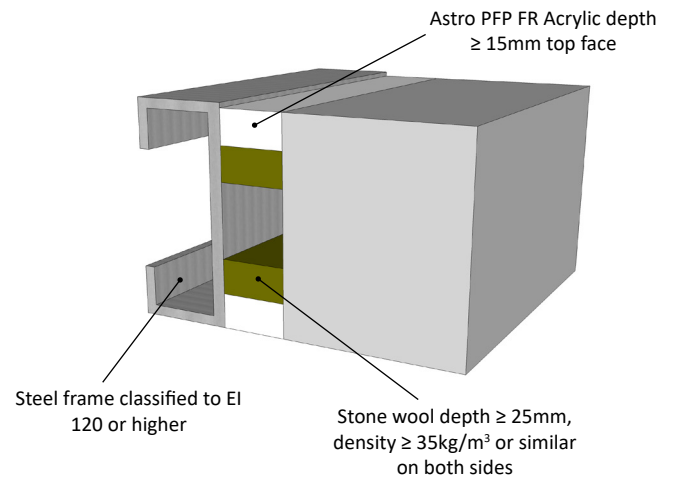
Maximum seal width 30mm



LINEAR SEALS FIRE RESISTANCE EI 120 (E 240)

IN RIGID FLOORS OR BETWEEN FLOORS AND WALLS

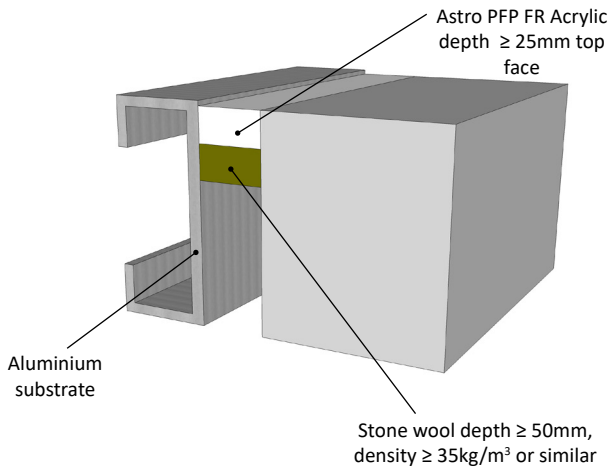
Maximum seal width 30mm



LINEAR SEALS FIRE RESISTANCE EI 20 (E 180)

IN RIGID FLOORS OR BETWEEN FLOORS AND WALLS

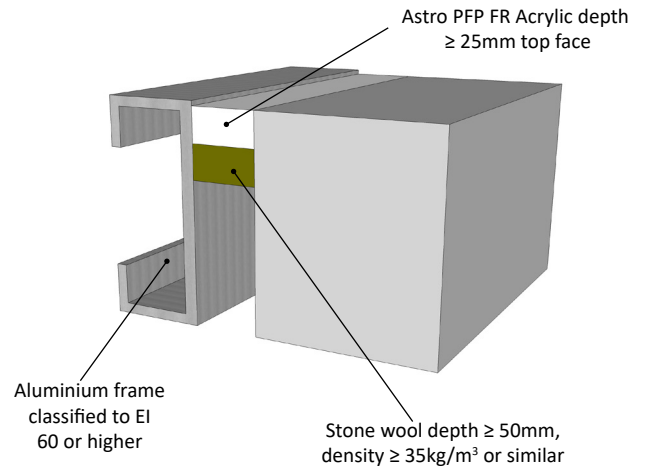
Maximum seal width 30mm



LINEAR SEALS FIRE RESISTANCE EI 60 (E 180)

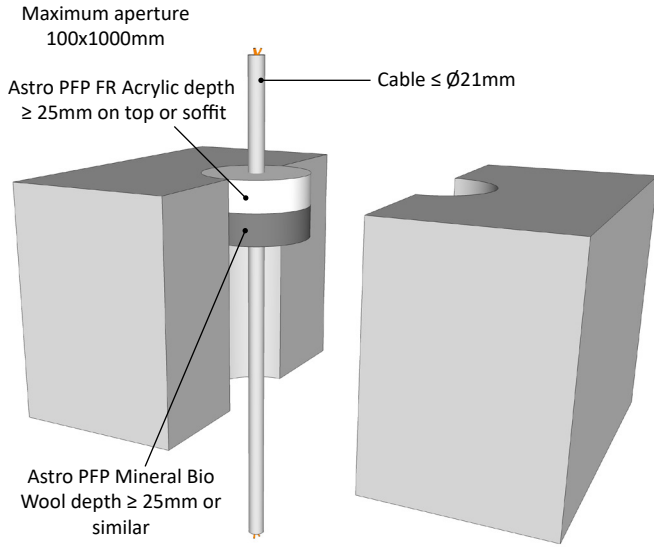
IN RIGID FLOORS OR BETWEEN FLOORS AND WALLS

Maximum seal width 30mm



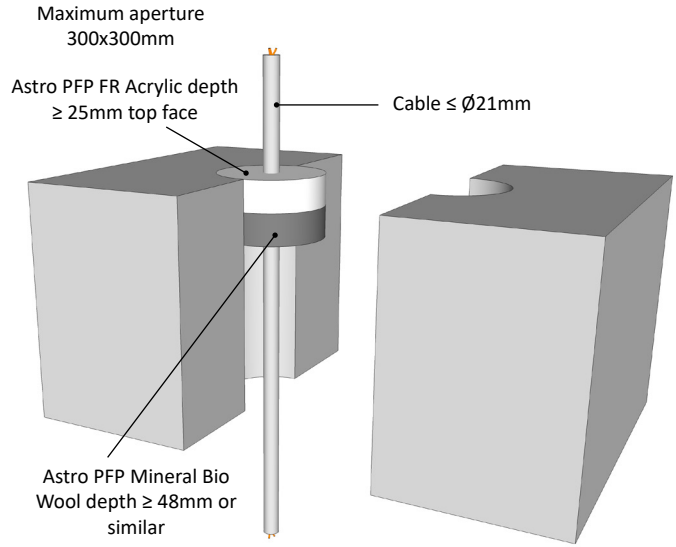
CABLE FIRE RESISTANCE EI 60 (E 120)

RIGID FLOORS



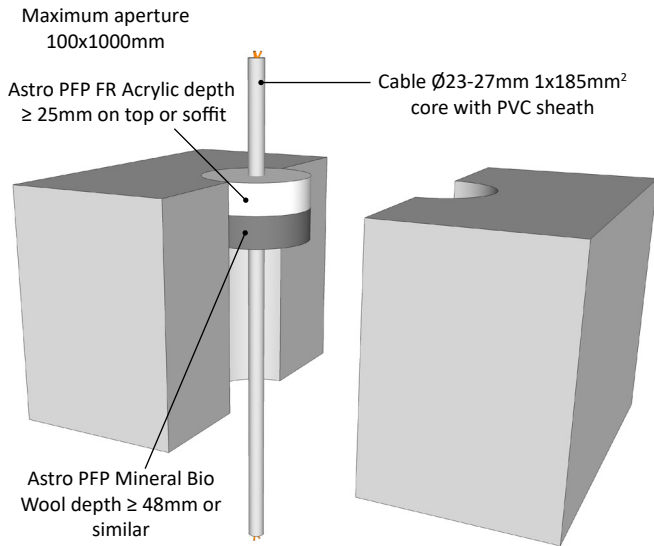
CABLE FIRE RESISTANCE EI 90 (E 120)

RIGID FLOORS



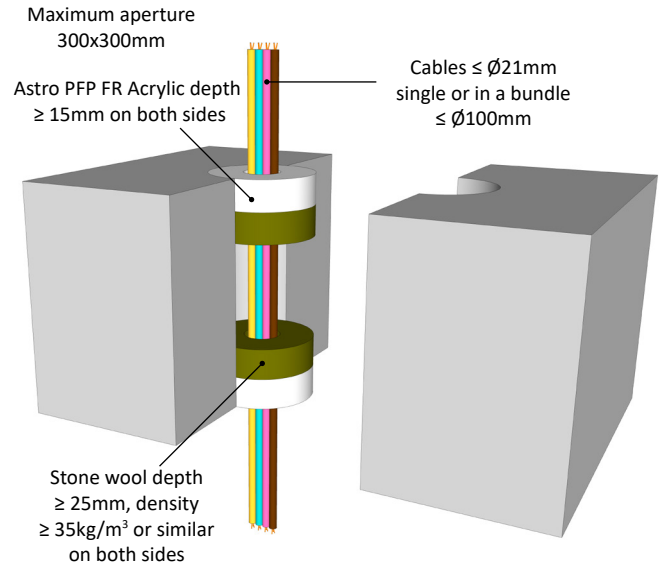
CABLE FIRE RESISTANCE EI 240 (E 240)

RIGID FLOORS



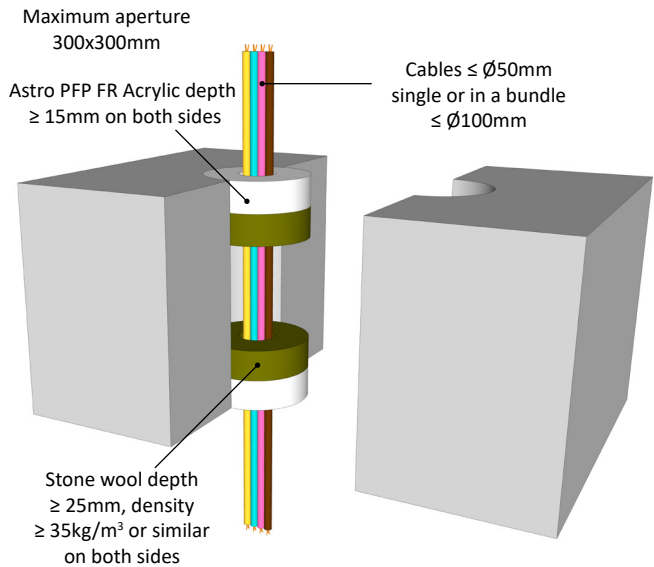
CABLES FIRE RESISTANCE EI 120 (E 120)

RIGID FLOORS



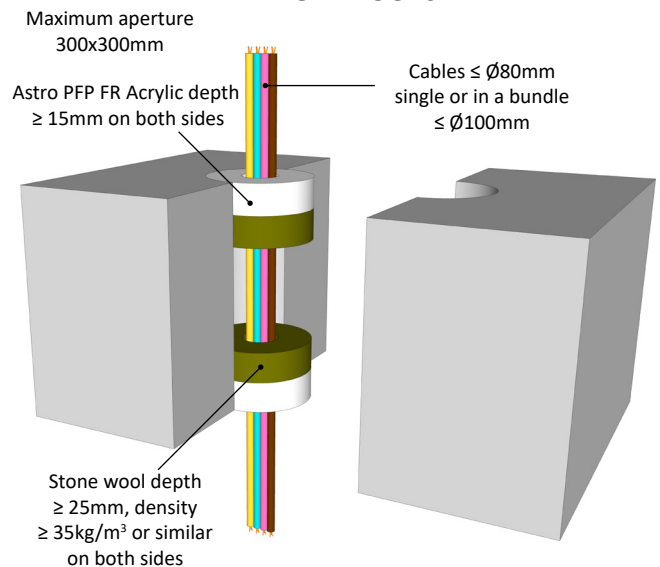
CABLES FIRE RESISTANCE EI 90 (E 120)

RIGID FLOORS



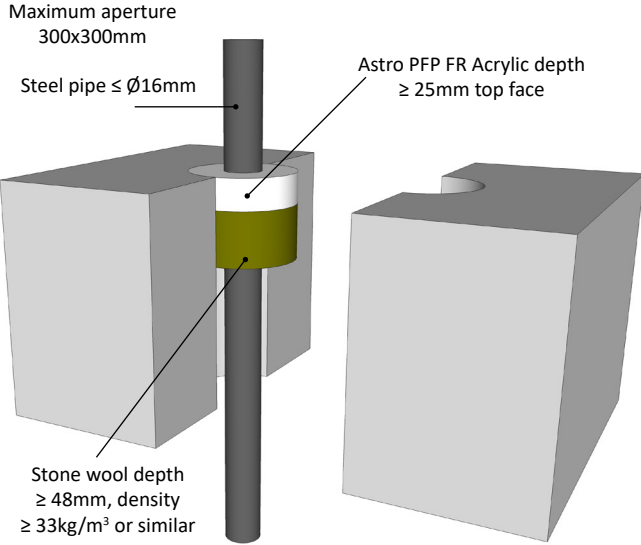
CABLES FIRE RESISTANCE EI 60 (E 120)

RIGID FLOORS



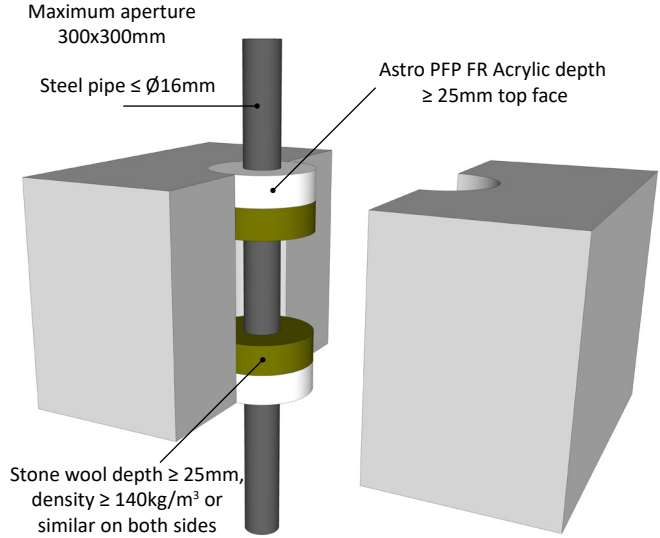
STEEL PIPE FIRE RESISTANCE EI 120 C/U (E 120 C/U)

RIGID FLOORS



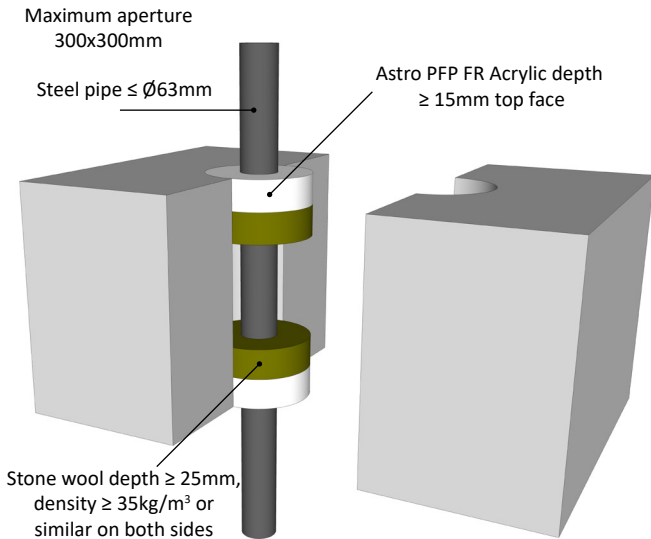
STEEL PIPE FIRE RESISTANCE EI 240 C/U (E 240)

RIGID FLOORS



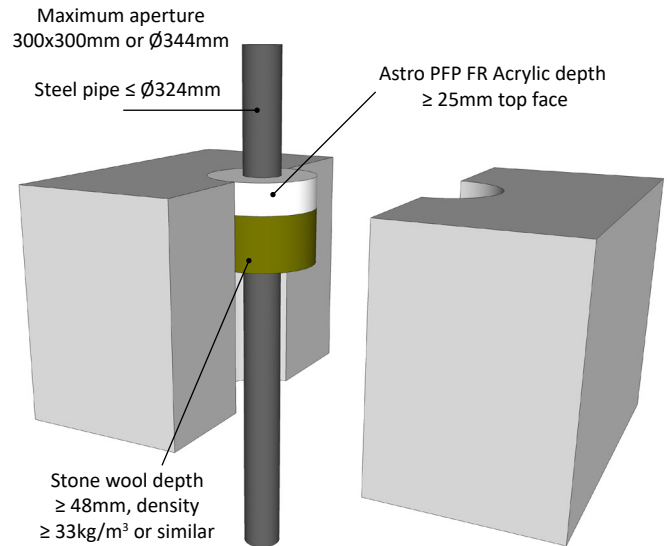
STEEL PIPE FIRE RESISTANCE EI 30 C/U (E 240)

RIGID FLOORS



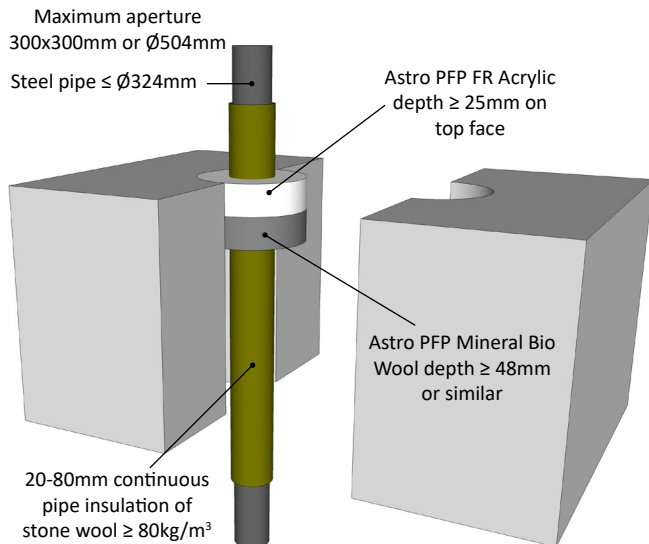
STEEL PIPE FIRE RESISTANCE E 120 C/U

RIGID FLOORS



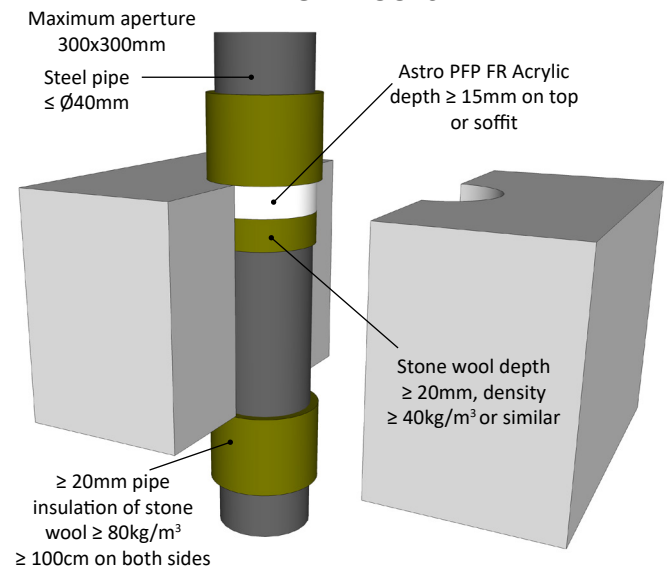
INSULATED STEEL PIPE FIRE RESISTANCE EI 240 C/U (E 240)

RIGID FLOORS



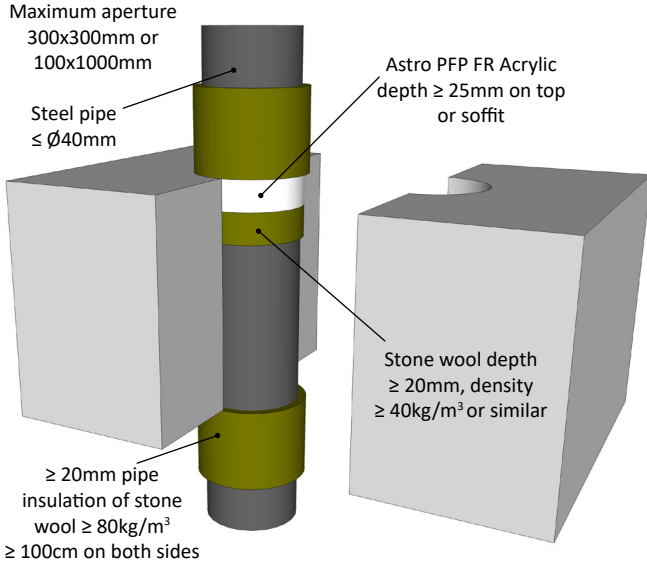
STEEL PIPE FIRE RESISTANCE EI 60 C/U (E 90)

RIGID FLOORS



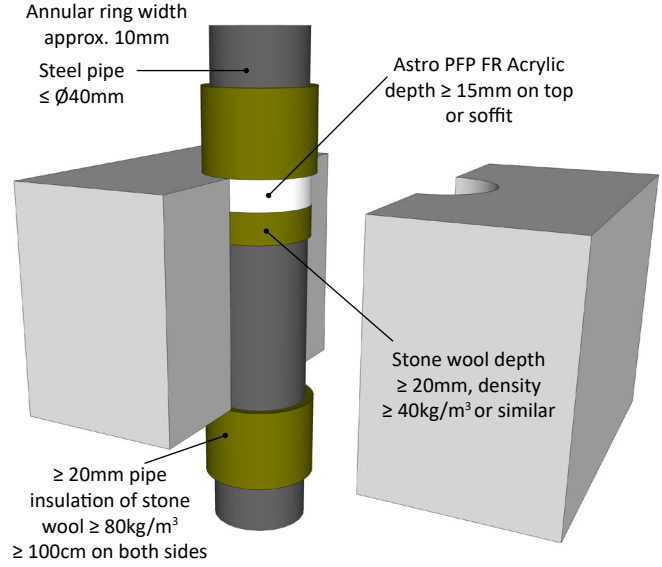
STEEL PIPE FIRE RESISTANCE EI 90 C/U (E 120)

RIGID FLOORS



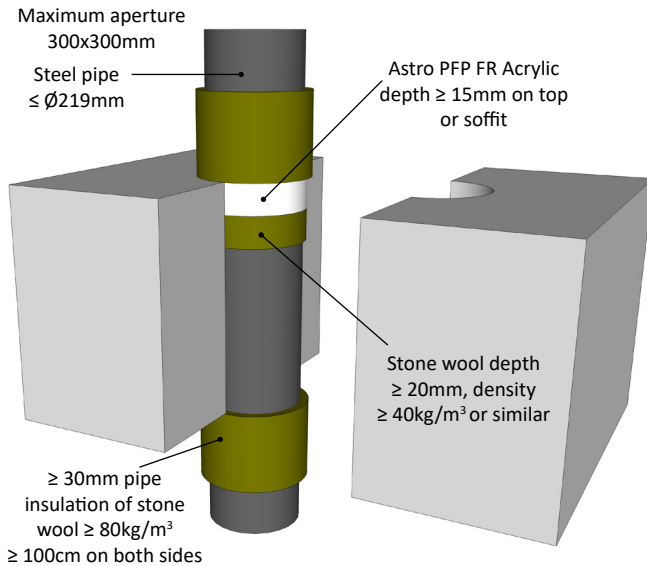
STEEL PIPE FIRE RESISTANCE EI 240 C/U (E 240)

RIGID FLOORS



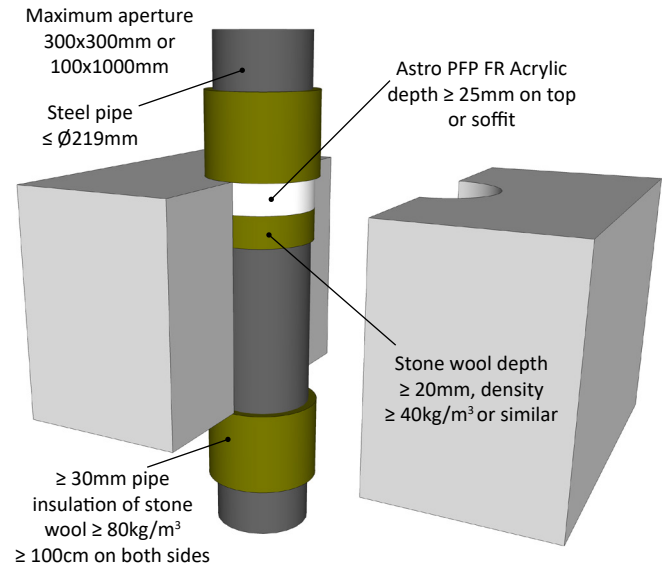
STEEL PIPE FIRE RESISTANCE EI 60 C/U (E 90)

RIGID FLOORS



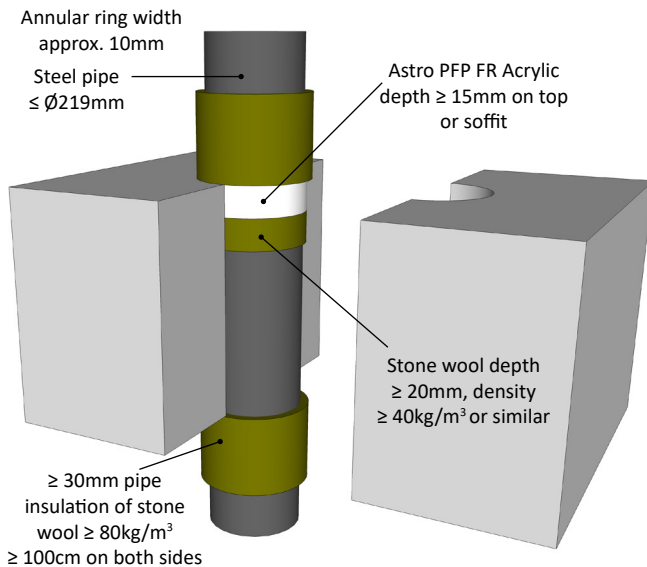
STEEL PIPE FIRE RESISTANCE EI 90 C/U (E 120)

RIGID FLOORS



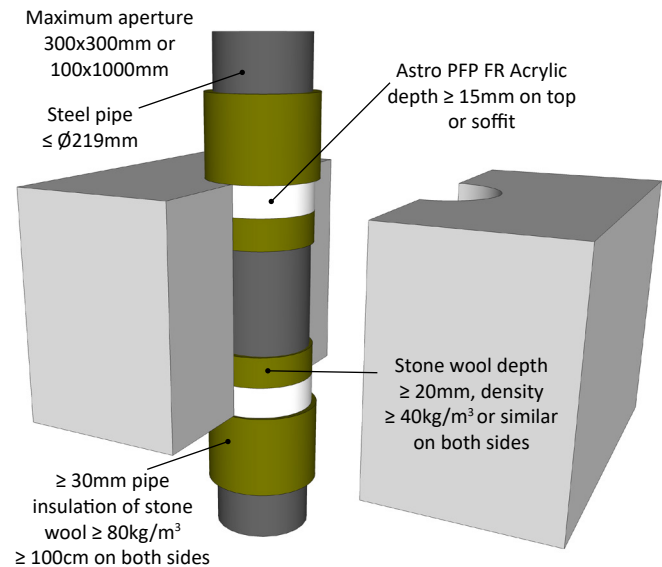
STEEL PIPE FIRE RESISTANCE EI 90 C/U (E 240)

RIGID FLOORS



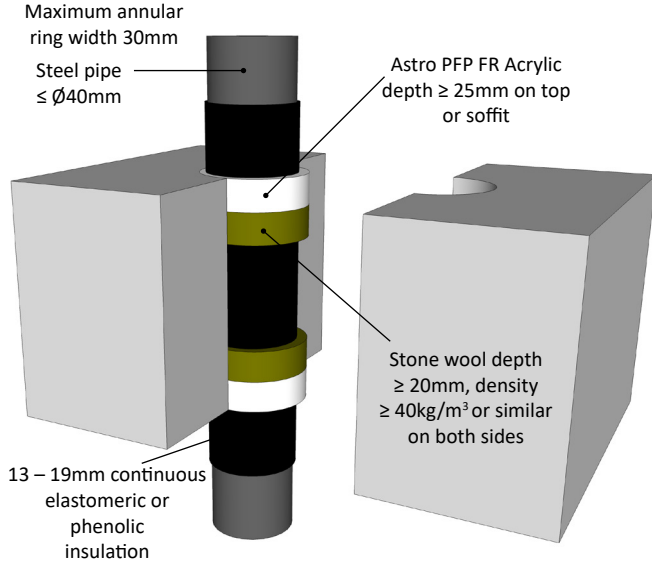
STEEL PIPE FIRE RESISTANCE EI 120 C/U (E 240)

RIGID FLOORS



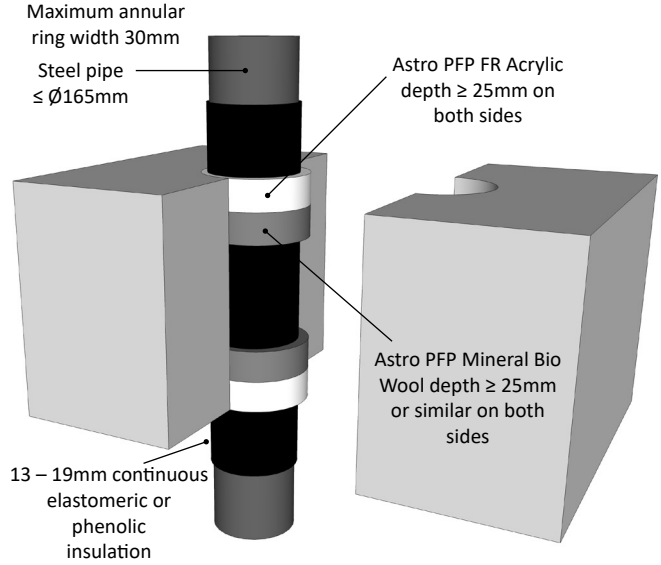
INSULATED STEEL PIPE FIRE RESISTANCE EI 180 C/U (E 180)

RIGID FLOORS



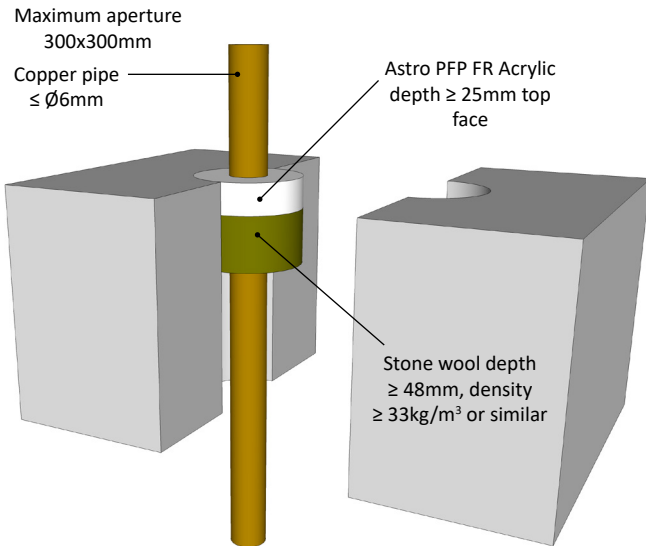
INSULATED STEEL PIPE FIRE RESISTANCE EI 60 C/U (E 60)

RIGID FLOORS



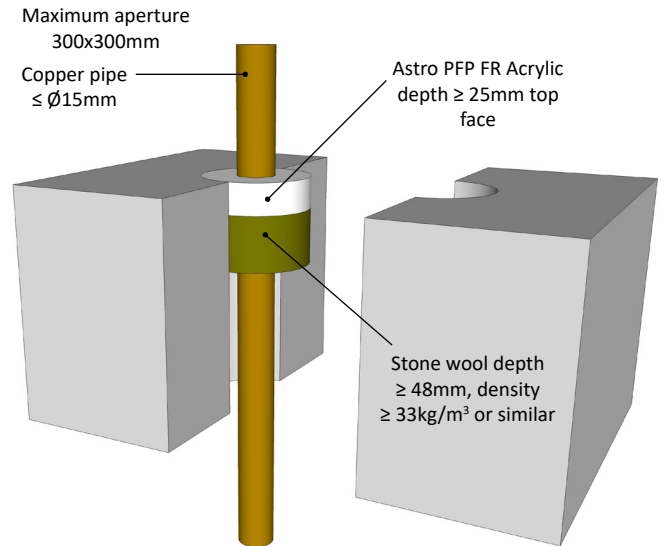
COPPER PIPE FIRE RESISTANCE EI 120 C/C (E 120)

RIGID FLOORS



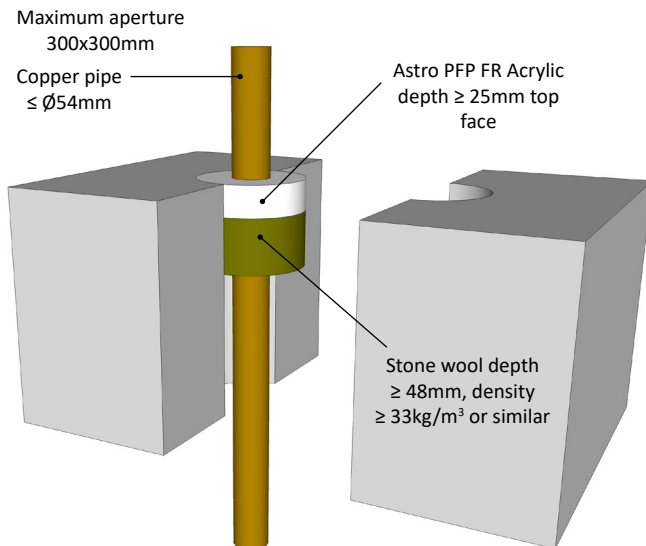
COPPER PIPE FIRE RESISTANCE EI 60 C/C (E 120)

RIGID FLOORS



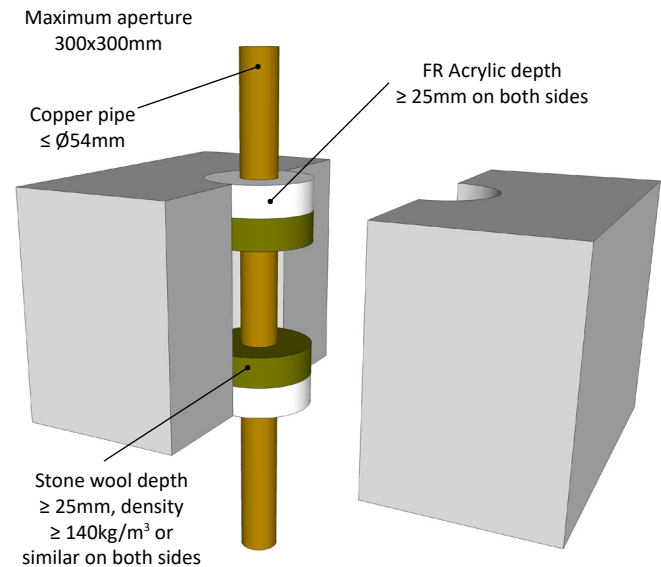
COPPER PIPE FIRE RESISTANCE E 120 C/C

RIGID FLOORS



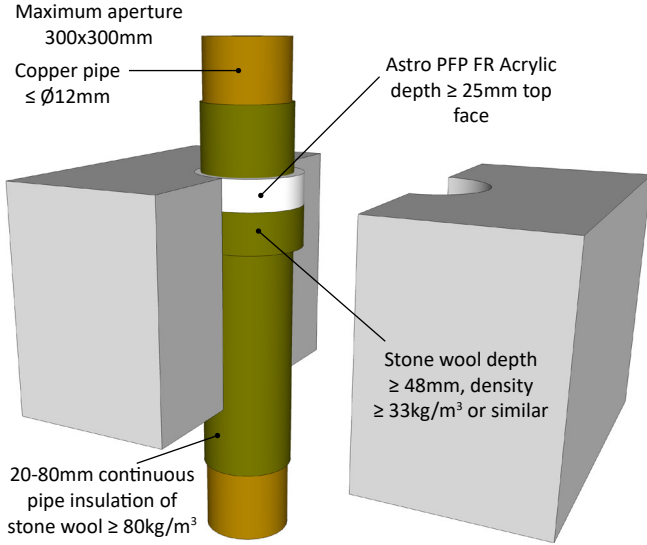
COPPER PIPE FIRE RESISTANCE EI 20 C/U (E 120)

RIGID FLOORS



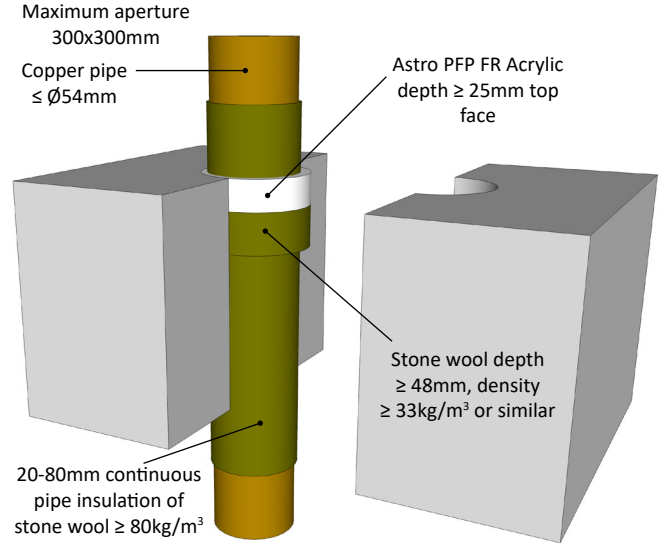
INSULATED COPPER PIPE FIRE RESISTANCE EI 240 C/C (E 240)

RIGID FLOORS



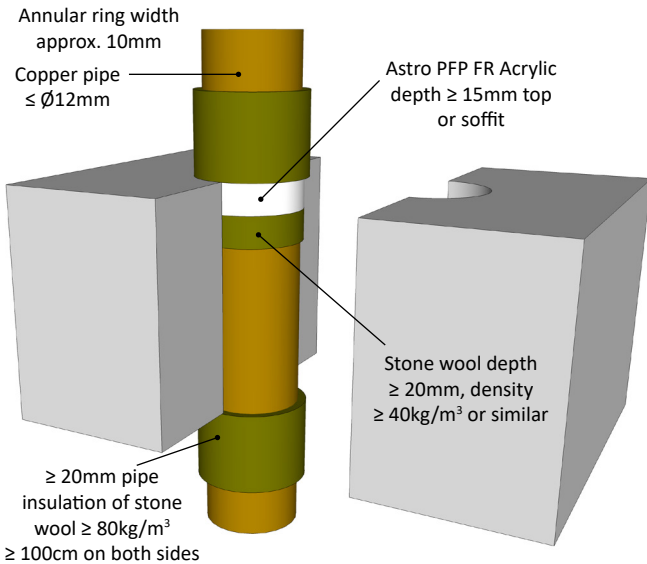
INSULATED COPPER PIPE FIRE RESISTANCE EI 180 C/C (E 240)

RIGID FLOORS



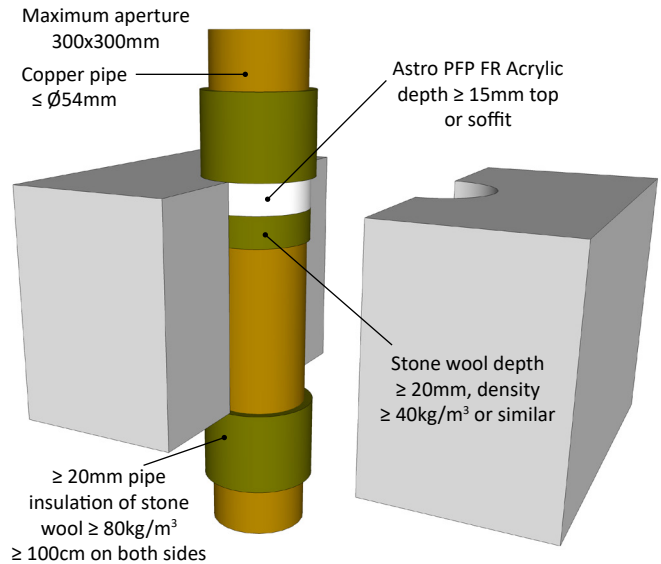
COPPER PIPE FIRE RESISTANCE EI 240 C/U (E 240)

RIGID FLOORS



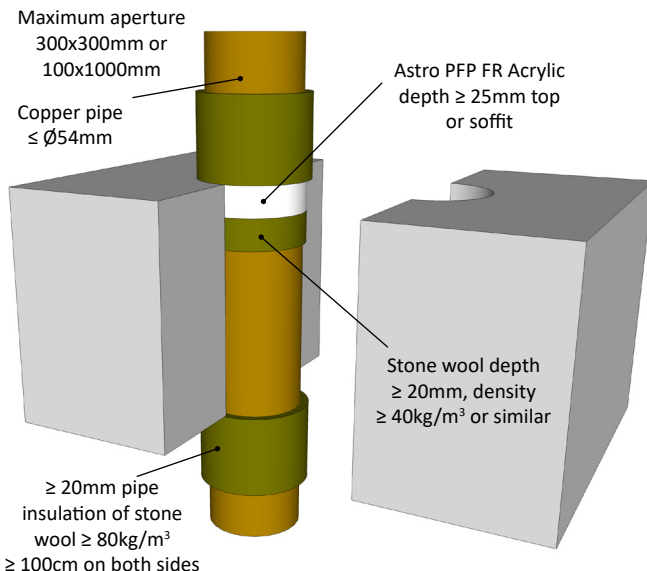
COPPER PIPE FIRE RESISTANCE EI 60 C/U (E 90)

RIGID FLOORS



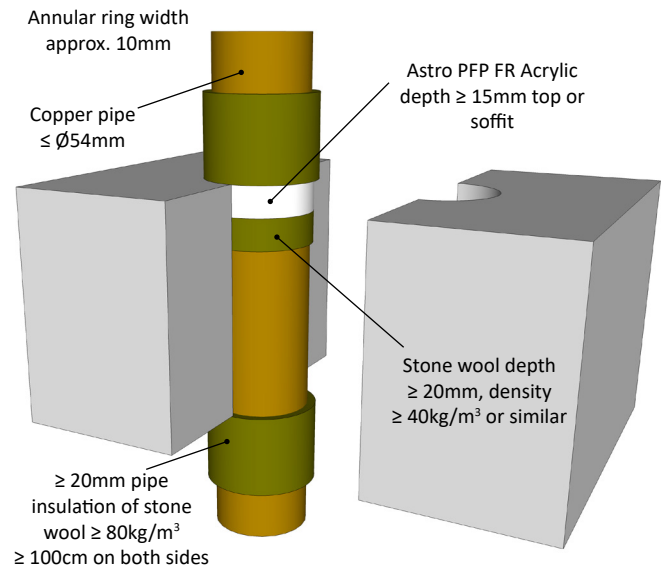
COPPER OR STEEL PIPE FIRE RESISTANCE EI 120 C/U (E 120)

RIGID FLOORS



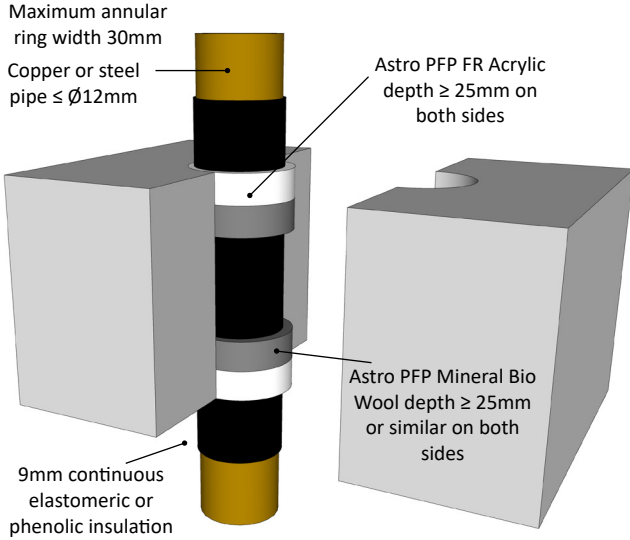
COPPER OR STEEL PIPE FIRE RESISTANCE EI 180 C/U (E 240)

RIGID FLOORS



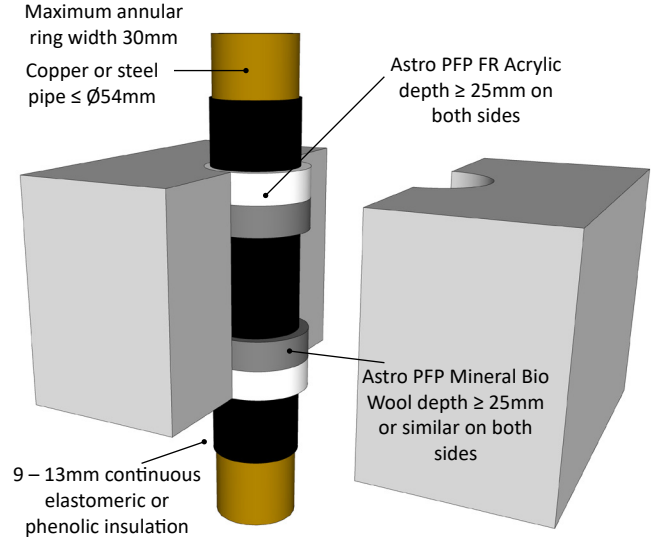
COPPER OR STEEL PIPE FIRE RESISTANCE EI 180 C/C (E 240)

RIGID FLOORS



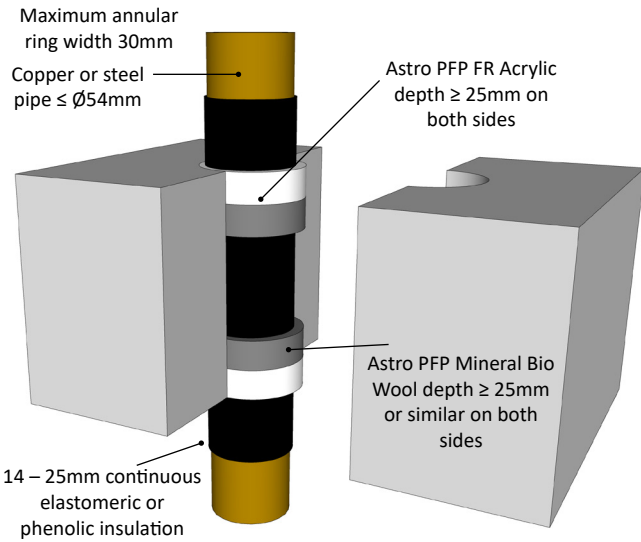
COPPER OR STEEL PIPE FIRE RESISTANCE EI 120 C/C (E 180)

RIGID FLOORS



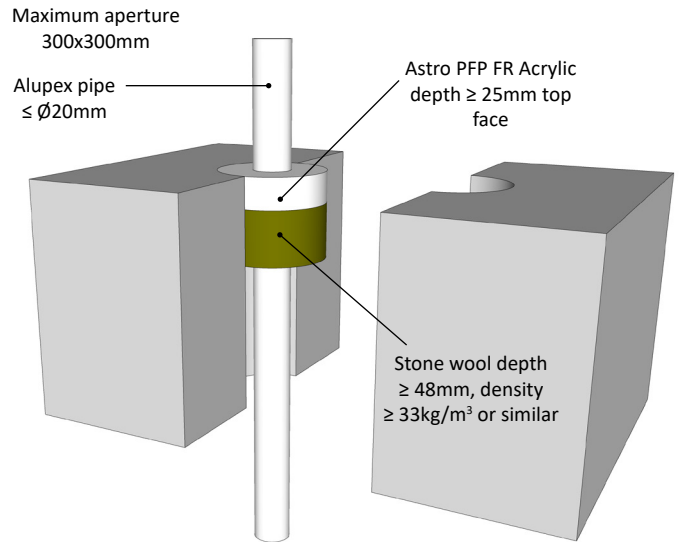
COPPER OR STEEL PIPE FIRE RESISTANCE EI 60 C/C (E 90)

RIGID FLOORS



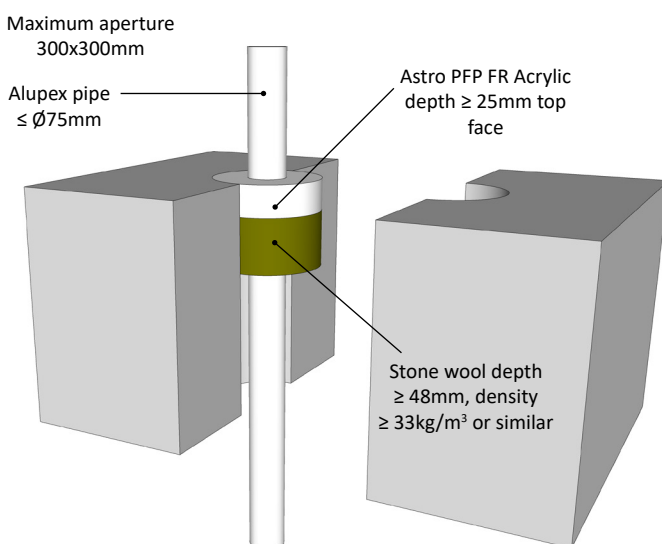
ALUPEX PIPE FIRE RESISTANCE EI 120 C/C (E 120)

RIGID FLOORS



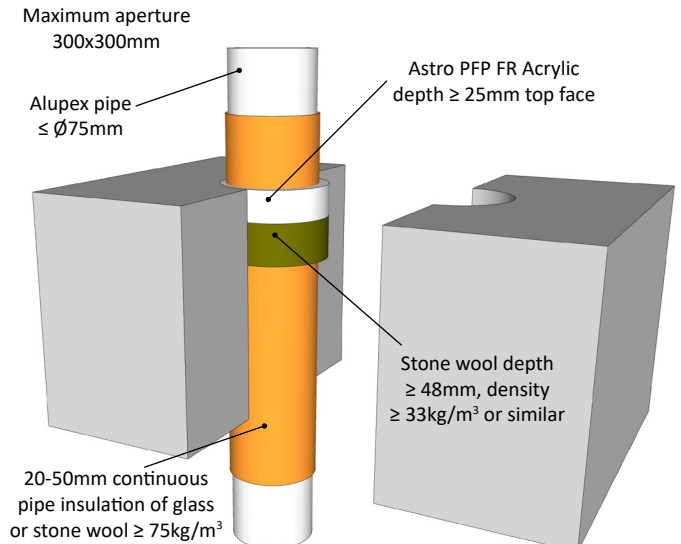
ALUPEX PIPE FIRE RESISTANCE EI 90 C/C (E 120)

RIGID FLOORS



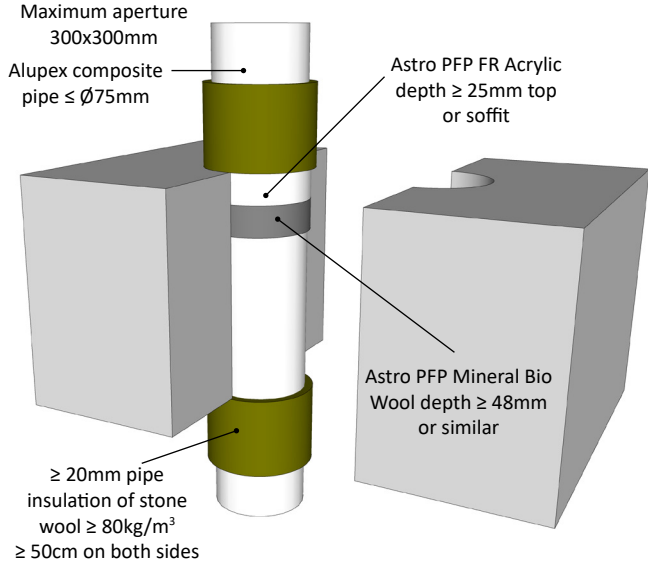
INSULATED ALUPEX PIPE FIRE RESISTANCE EI 120 C/C (E 180)

RIGID FLOORS



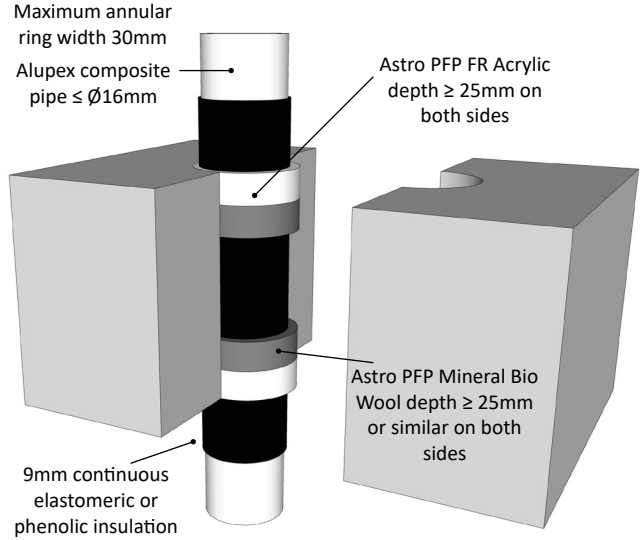
ALUPEX PIPE FIRE RESISTANCE EI 240 C/C (E 240)

RIGID FLOORS



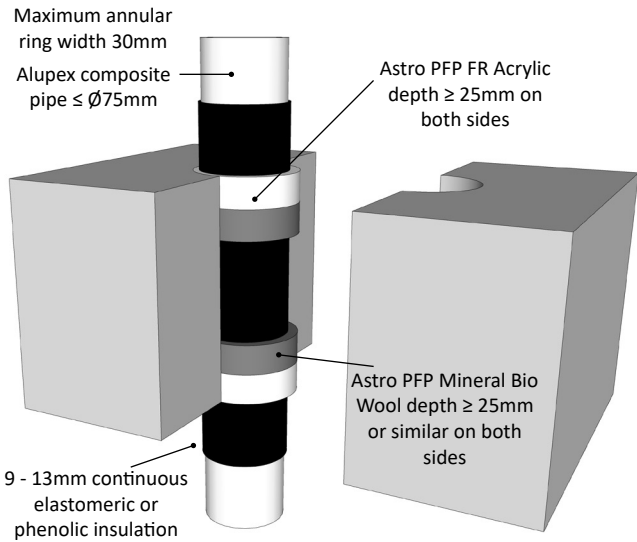
INSULATED ALUPEX PIPE FIRE RESISTANCE EI 180 C/C (E 180)

RIGID FLOORS



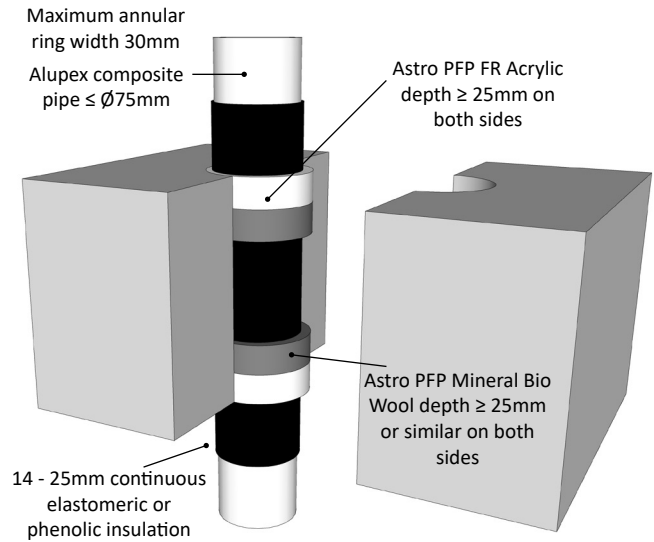
INSULATED ALUPEX PIPE FIRE RESISTANCE EI 60 C/C (E 120)

RIGID FLOORS



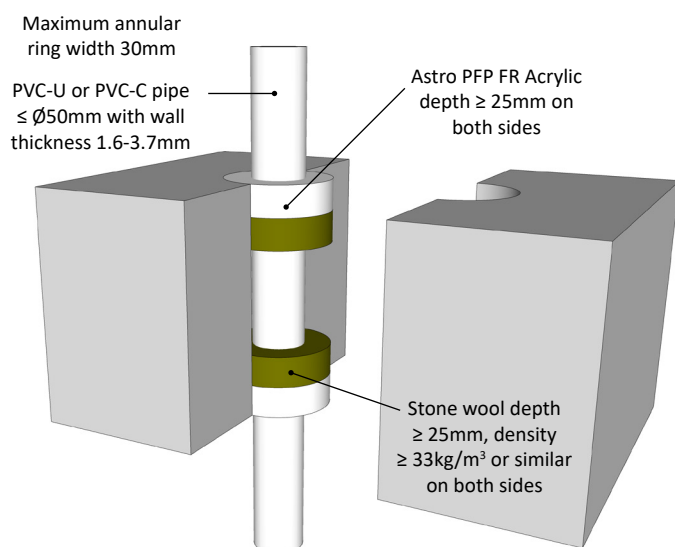
INSULATED ALUPEX PIPE FIRE RESISTANCE EI 60 C/C (E 60)

RIGID FLOORS



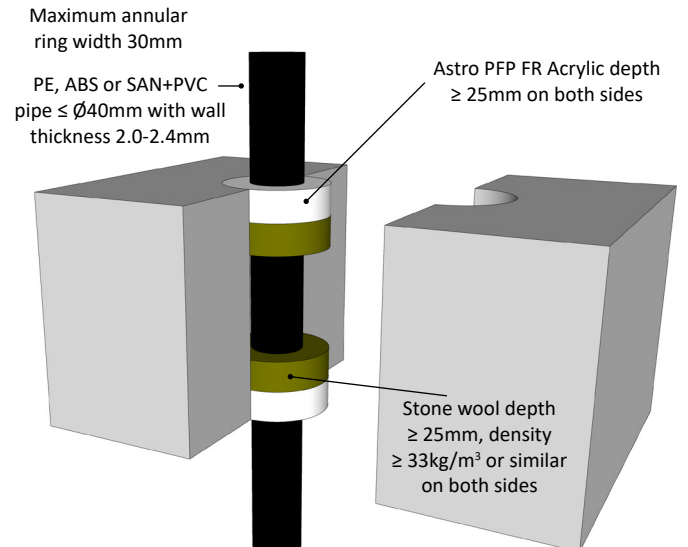
PVC PLASTIC PIPE FIRE RESISTANCE EI 240 U/C (E 240)

RIGID FLOORS



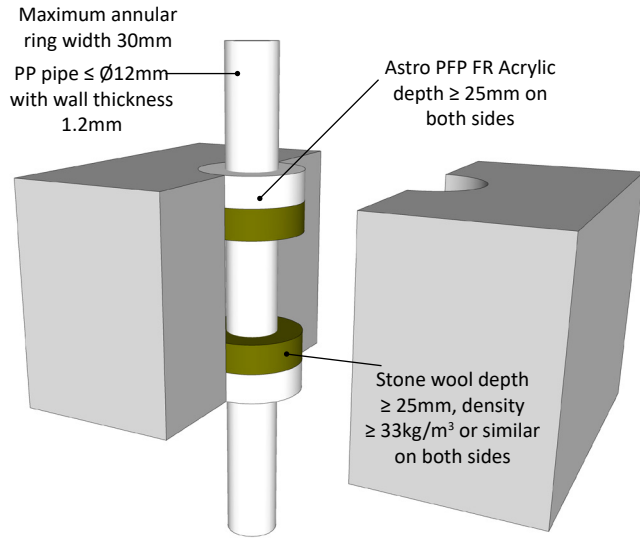
PE PLASTIC PIPE FIRE RESISTANCE EI 240 U/C (E 240)

RIGID FLOORS



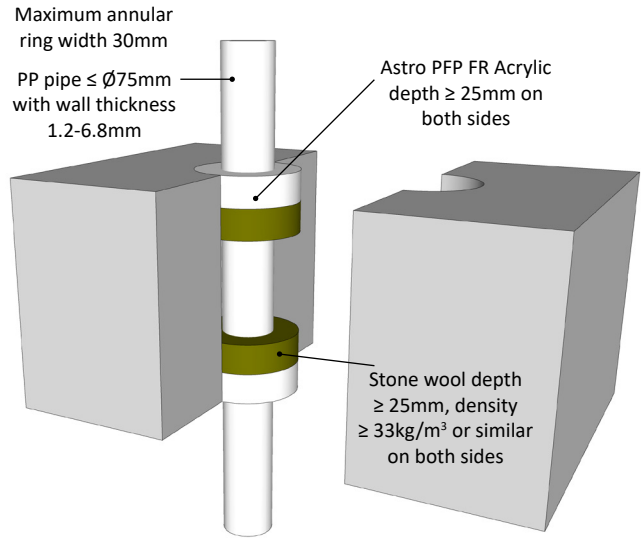
PP PLASTIC PIPE FIRE RESISTANCE EI 240 U/C (E 240)

RIGID FLOORS



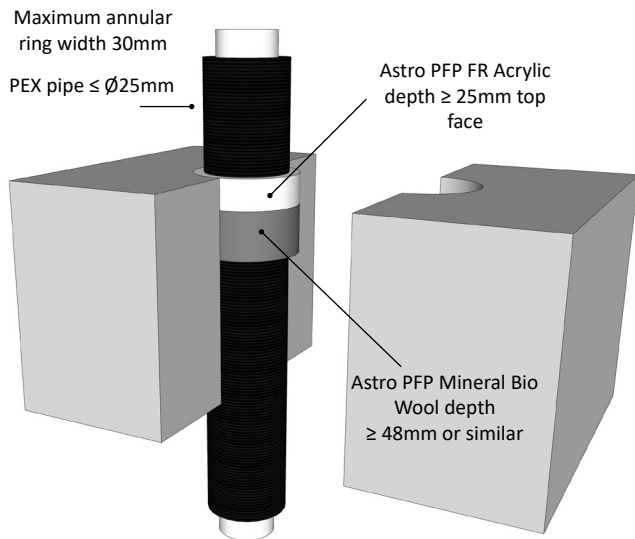
PP PLASTIC PIPE FIRE RESISTANCE EI 90 U/C (E 90)

RIGID FLOORS



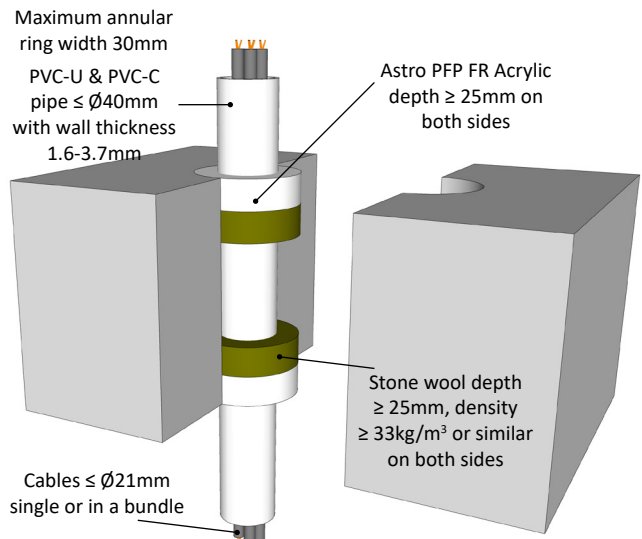
PEX PIPE-IN-PIPE SYSTEM FIRE RESISTANCE EI 90 C/C (E 90)

RIGID FLOORS



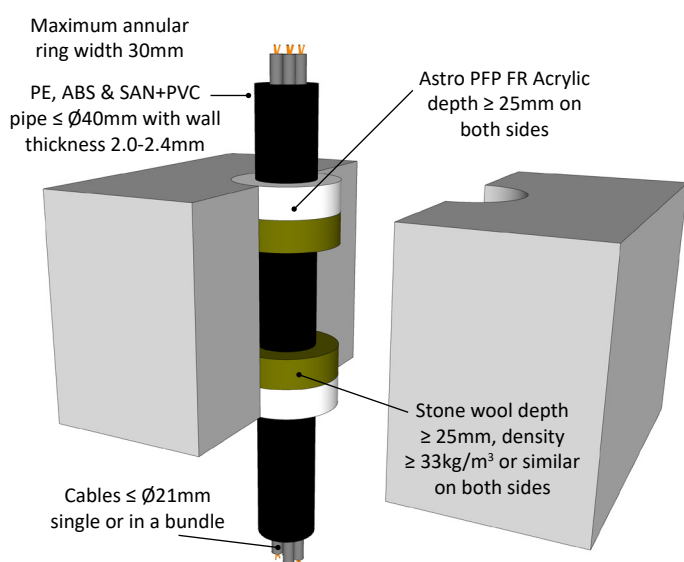
PVC CONDUIT FIRE RESISTANCE EI 240 U/C (E 240)

RIGID FLOORS



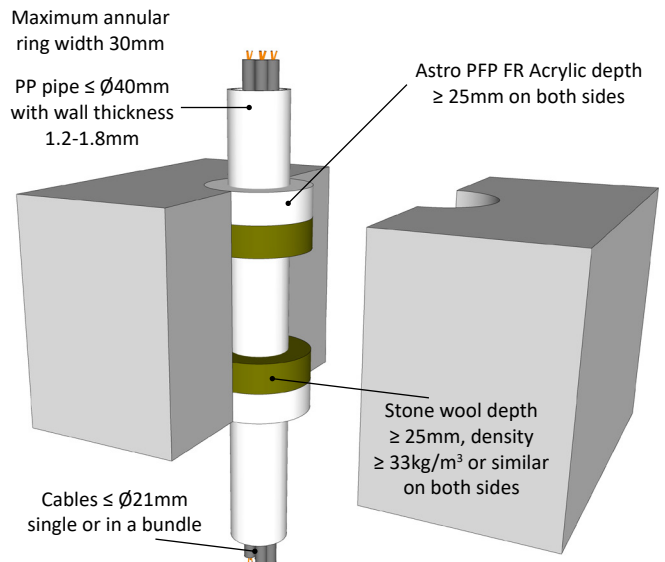
PE CONDUIT FIRE RESISTANCE EI 180 U/C (E 180)

RIGID FLOORS



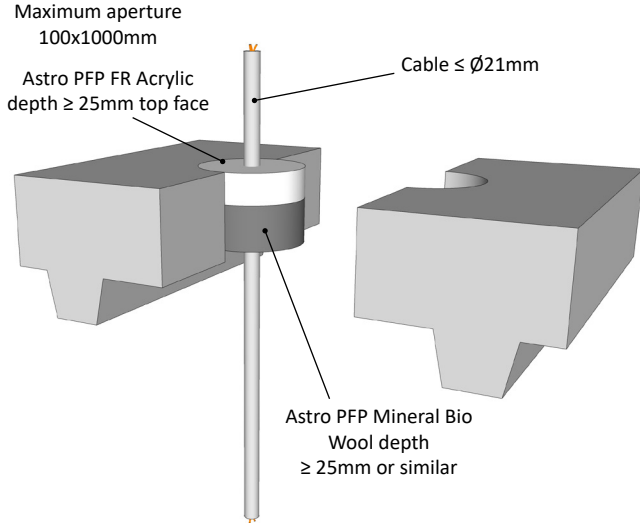
PP CONDUIT FIRE RESISTANCE EI 180 U/C (E 180)

RIGID FLOORS



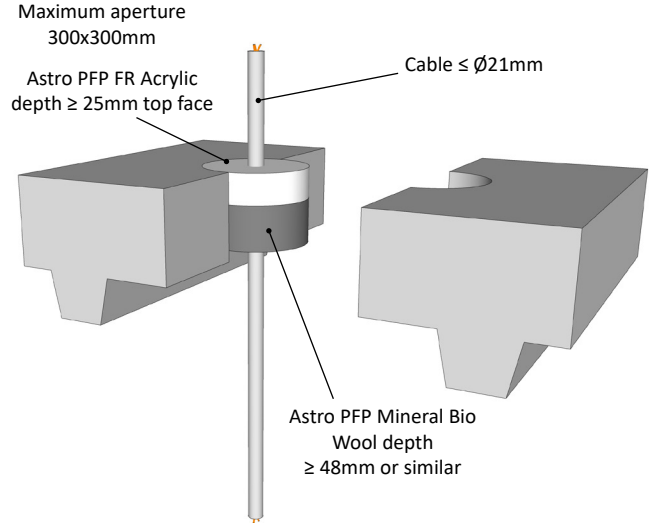
CABLE FIRE RESISTANCE EI 60 (E 120)

≥ 50MM COMPOSITE FLOORS



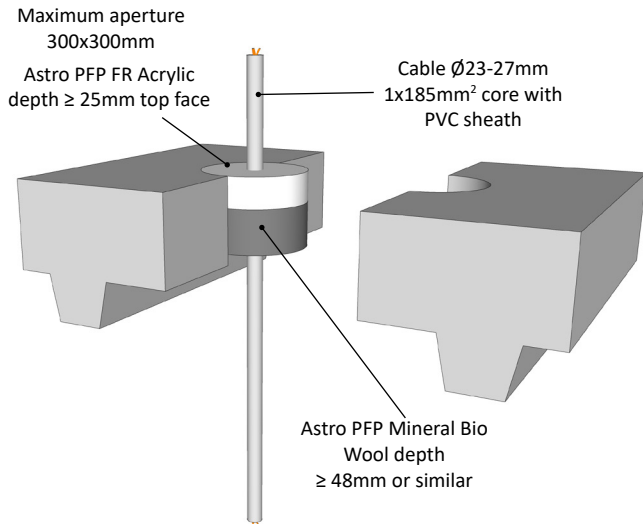
CABLE FIRE RESISTANCE EI 90 (E 120)

≥ 73MM COMPOSITE FLOORS



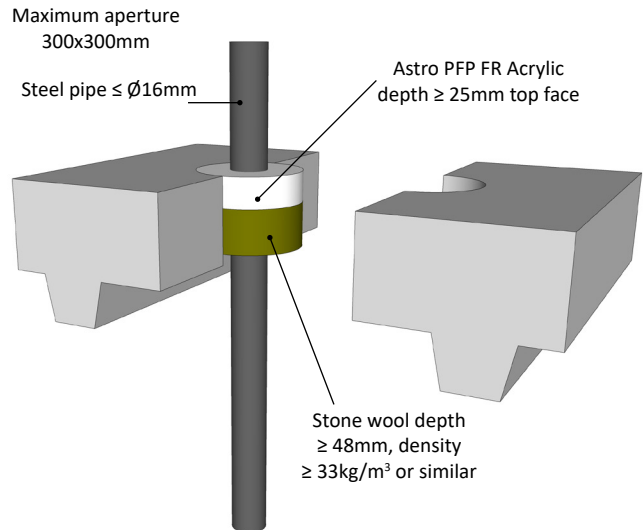
CABLE FIRE RESISTANCE EI 240 (E 240)

≥ 73MM COMPOSITE FLOORS



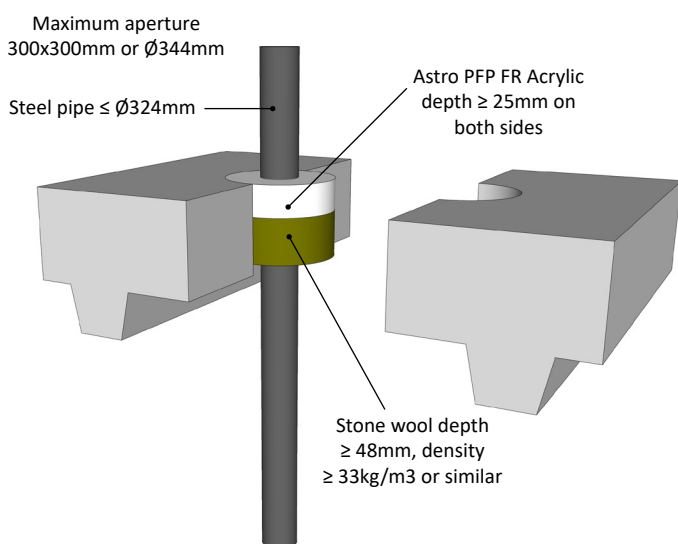
STEEL PIPE FIRE RESISTANCE EI 120 C/U (E 120)

≥ 73MM COMPOSITE FLOORS



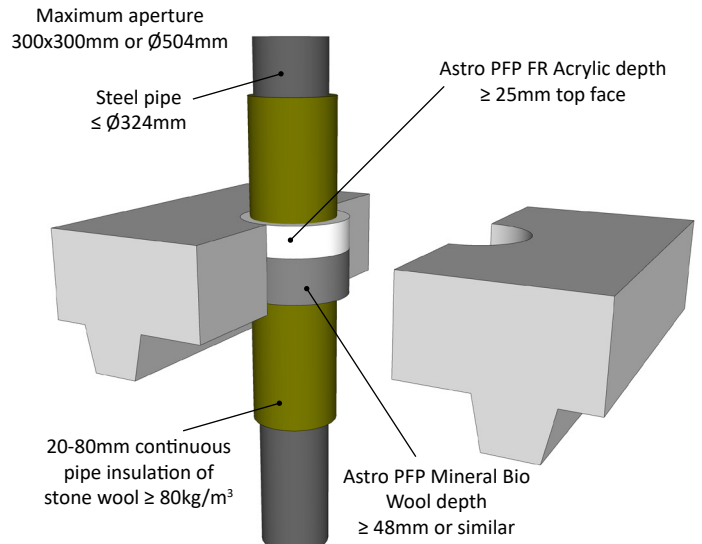
STEEL PIPE FIRE RESISTANCE E 120 C/U

≥ 73MM COMPOSITE FLOORS



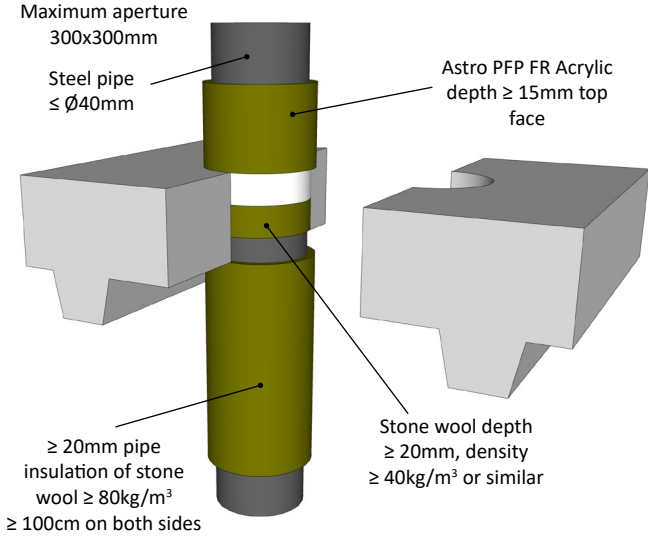
INSULATED STEEL PIPE FIRE RESISTANCE EI 240 C/U (E 240)

≥ 73MM COMPOSITE FLOORS



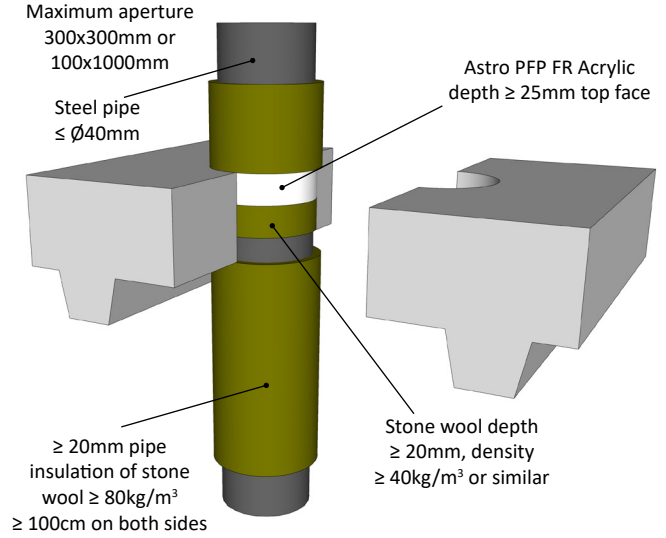
STEEL PIPE FIRE RESISTANCE EI 60 C/U (E 90)

≥ 35MM COMPOSITE FLOORS



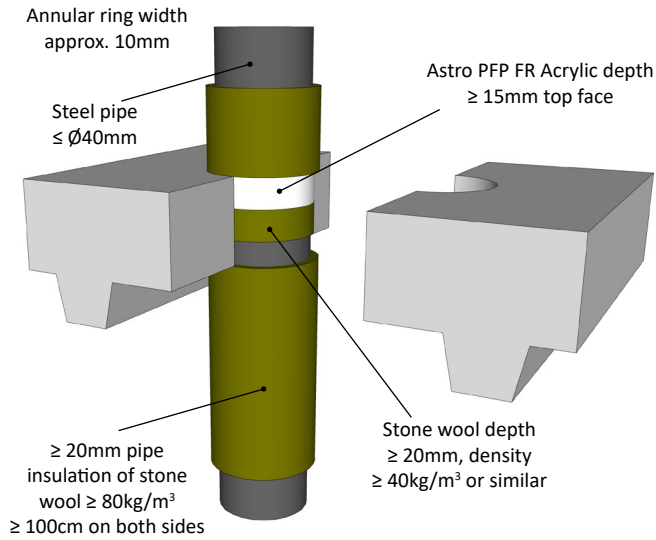
STEEL PIPE FIRE RESISTANCE EI 90 C/U (E 120)

≥ 45MM COMPOSITE FLOORS



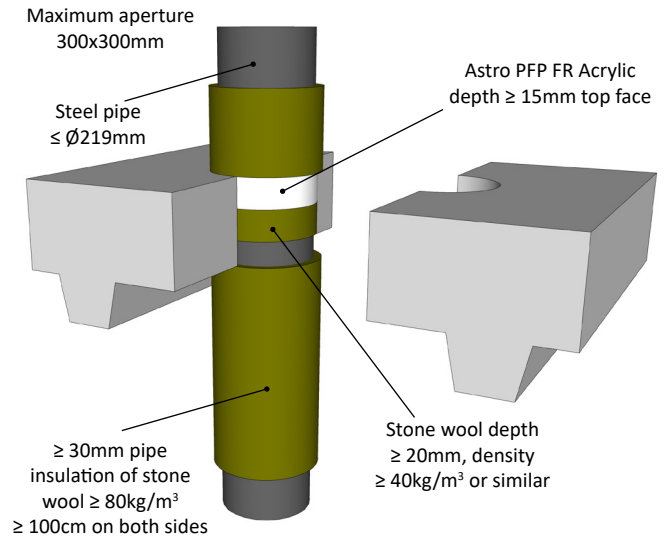
STEEL PIPE FIRE RESISTANCE EI 240 C/U (E 240)

≥ 35MM COMPOSITE FLOORS



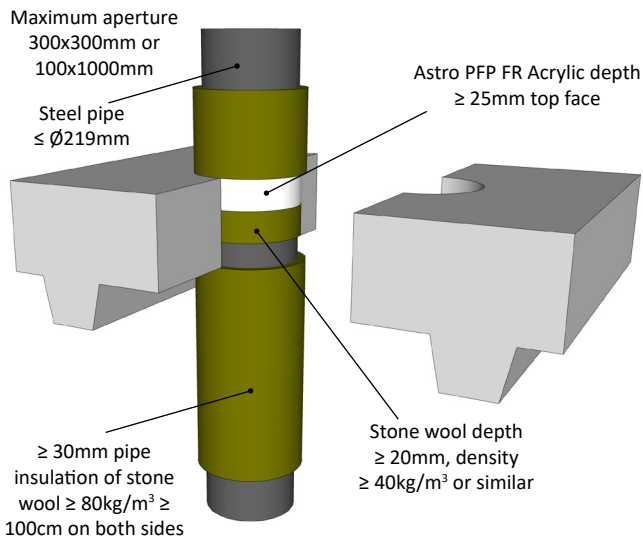
STEEL PIPE FIRE RESISTANCE EI 60 C/U (E 90)

≥ 35MM COMPOSITE FLOORS



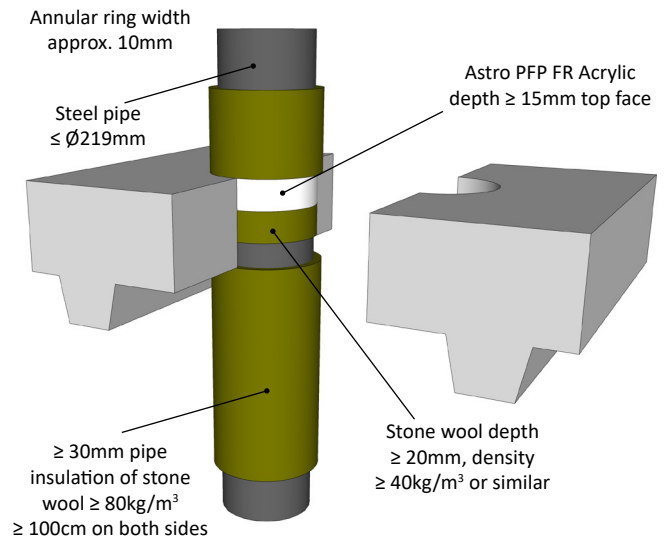
STEEL PIPE FIRE RESISTANCE EI 90 C/U (E 120)

≥ 45MM COMPOSITE FLOORS



STEEL PIPE FIRE RESISTANCE EI 90 C/U (E 240)

≥ 35MM COMPOSITE FLOORS



COPPER PIPE FIRE RESISTANCE EI 120 C/C (E 120)

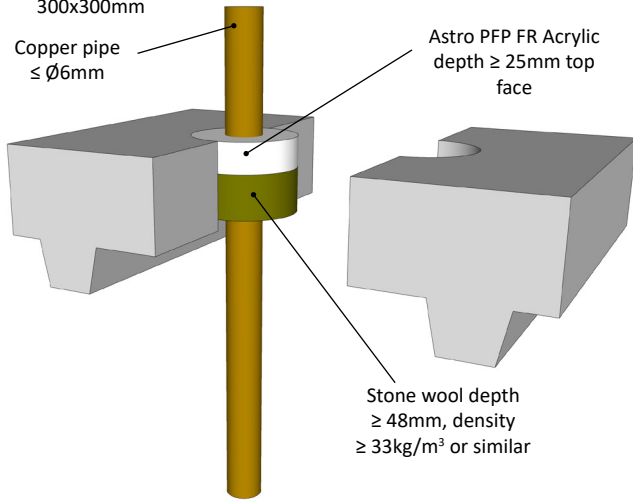
≥ 73MM COMPOSITE FLOORS

Maximum aperture
300x300mm

Copper pipe
≤ Ø6mm

Astro PFP FR Acrylic
depth ≥ 25mm top
face

Stone wool depth
≥ 48mm, density
≥ 33kg/m³ or similar



COPPER PIPE FIRE RESISTANCE EI 60 C/C (E 120)

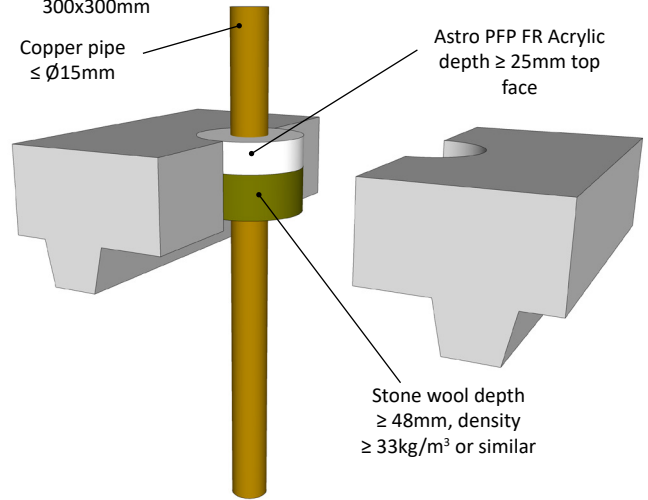
≥ 73MM COMPOSITE FLOORS

Maximum aperture
300x300mm

Copper pipe
≤ Ø15mm

Astro PFP FR Acrylic
depth ≥ 25mm top
face

Stone wool depth
≥ 48mm, density
≥ 33kg/m³ or similar



COPPER PIPE FIRE RESISTANCE E 120 C/C

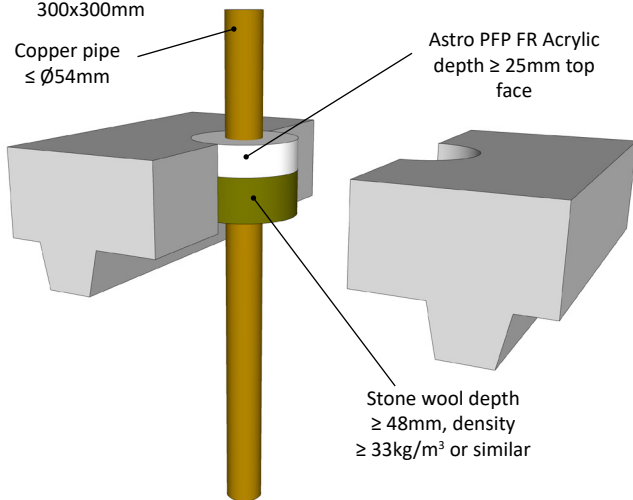
≥ 73MM COMPOSITE FLOORS

Maximum aperture
300x300mm

Copper pipe
≤ Ø54mm

Astro PFP FR Acrylic
depth ≥ 25mm top
face

Stone wool depth
≥ 48mm, density
≥ 33kg/m³ or similar



INSULATED COPPER PIPE FIRE RESISTANCE EI 240 C/C (E 240)

≥ 73MM COMPOSITE FLOORS

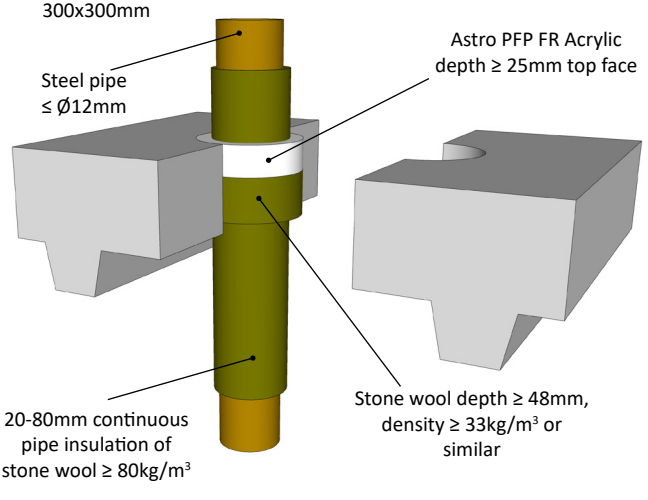
Maximum aperture
300x300mm

Steel pipe
≤ Ø12mm

Astro PFP FR Acrylic
depth ≥ 25mm top
face

20-80mm continuous
pipe insulation of
stone wool ≥ 80kg/m³

Stone wool depth ≥ 48mm,
density ≥ 33kg/m³ or
similar



INSULATED COPPER PIPE FIRE RESISTANCE EI 180 C/C (E 240)

≥ 73MM COMPOSITE FLOORS

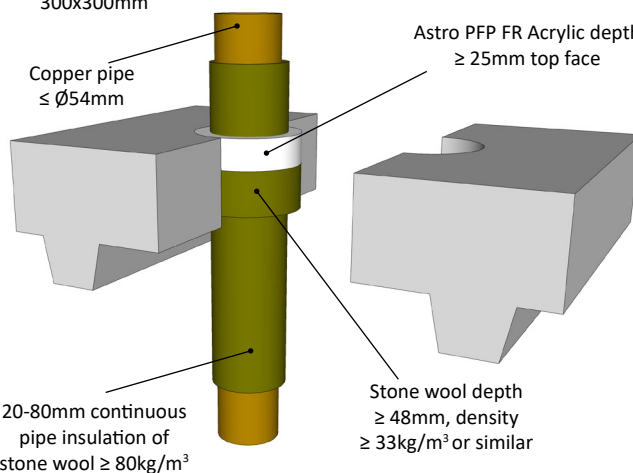
Maximum aperture
300x300mm

Copper pipe
≤ Ø54mm

Astro PFP FR Acrylic depth
≥ 25mm top face

20-80mm continuous
pipe insulation of
stone wool ≥ 80kg/m³

Stone wool depth
≥ 48mm, density
≥ 33kg/m³ or similar



STEEL PIPE FIRE RESISTANCE EI 90 C/U (E 240)

≥ 35MM COMPOSITE FLOORS

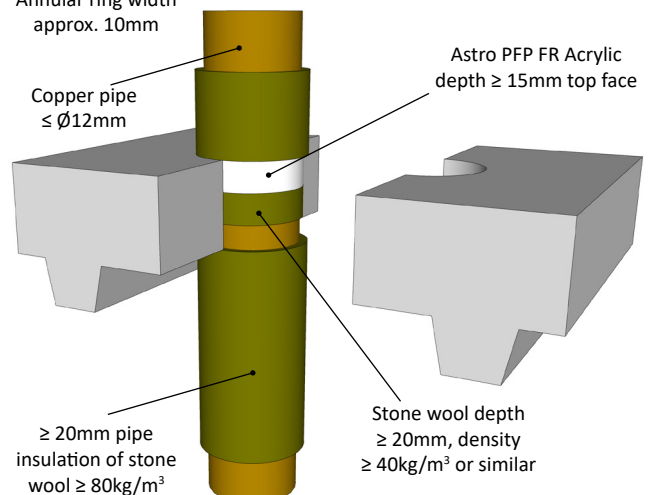
Annular ring width
approx. 10mm

Copper pipe
≤ Ø12mm

Astro PFP FR Acrylic
depth ≥ 15mm top
face

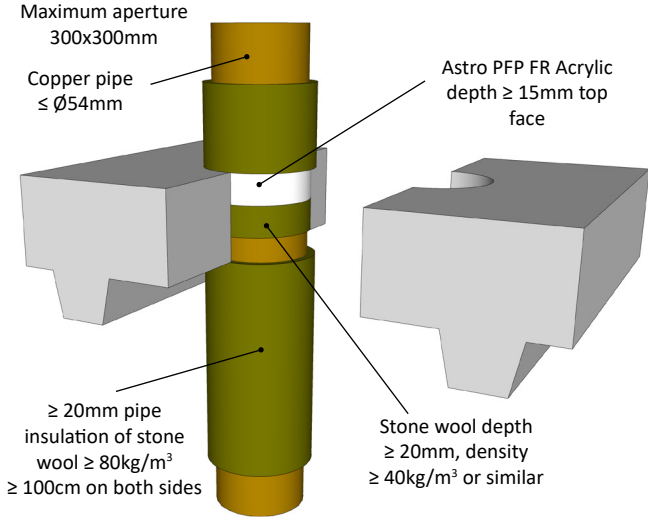
≥ 20mm pipe
insulation of stone
wool ≥ 80kg/m³
≥ 100cm on both sides

Stone wool depth
≥ 20mm, density
≥ 40kg/m³ or similar



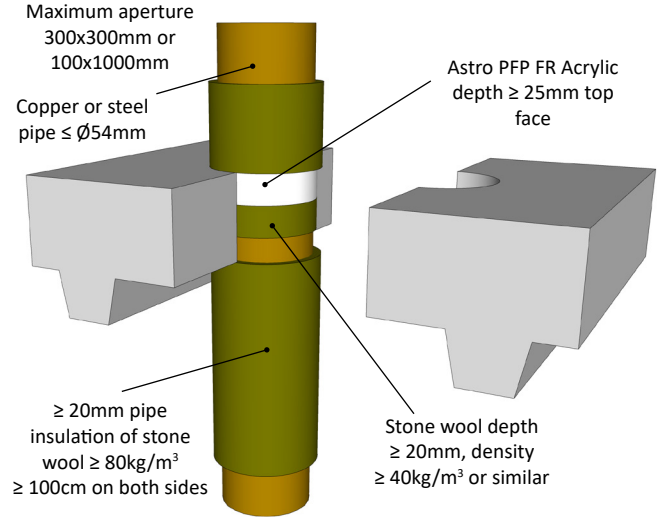
COPPER PIPE FIRE RESISTANCE EI 60 C/U (E 90)

≥ 35MM COMPOSITE FLOORS



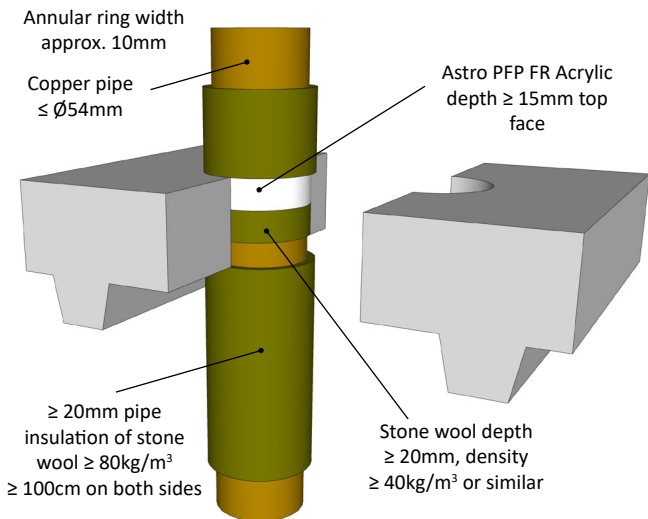
COPPER OR STEEL PIPE FIRE RESISTANCE EI 120 C/U (E 120)

≥ 45MM COMPOSITE FLOORS



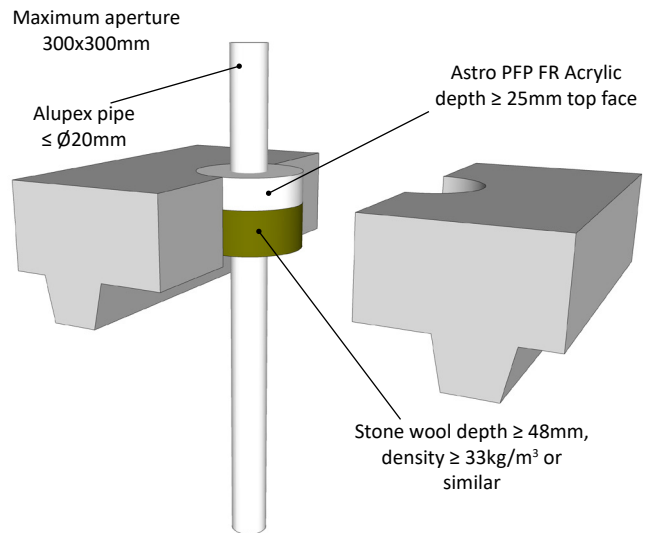
COPPER OR STEEL PIPE FIRE RESISTANCE EI 180 C/U (E 240)

≥ 35MM COMPOSITE FLOORS



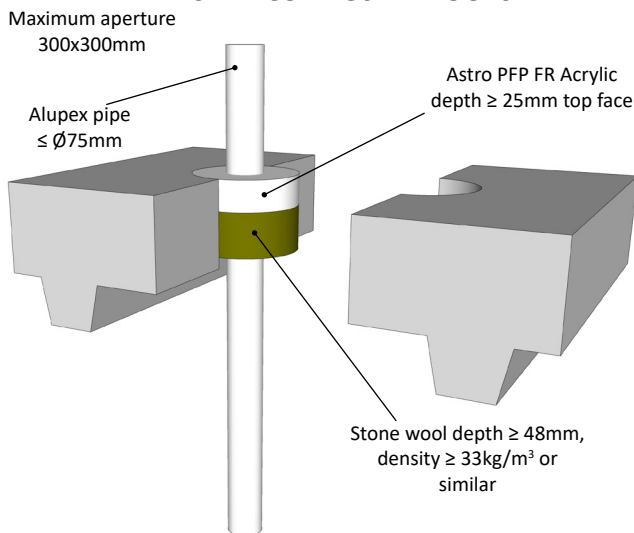
ALUPEX PIPE FIRE RESISTANCE EI 120 C/C (E 120 C/C)

≥ 73MM COMPOSITE FLOORS



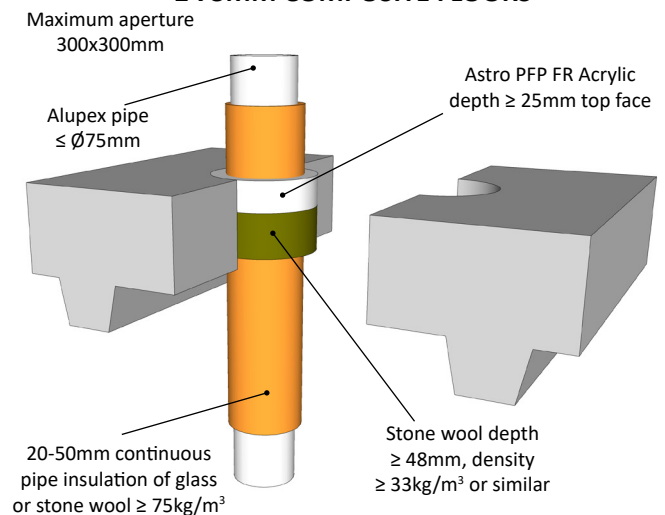
ALUPEX PIPE FIRE RESISTANCE EI 90 C/C (E 120 C/C)

≥ 73MM COMPOSITE FLOORS



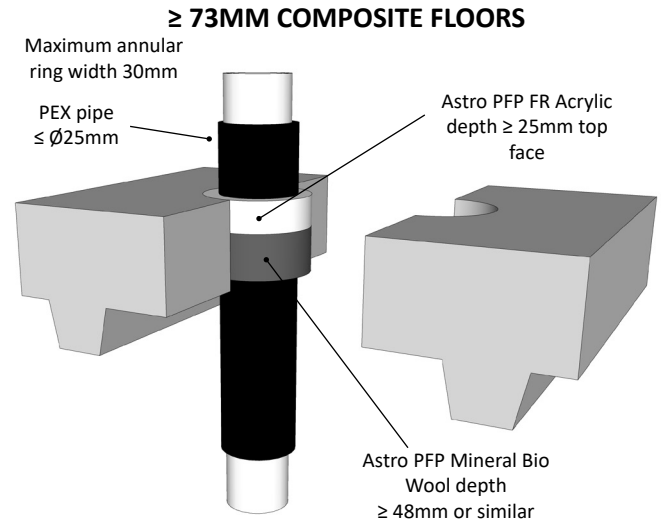
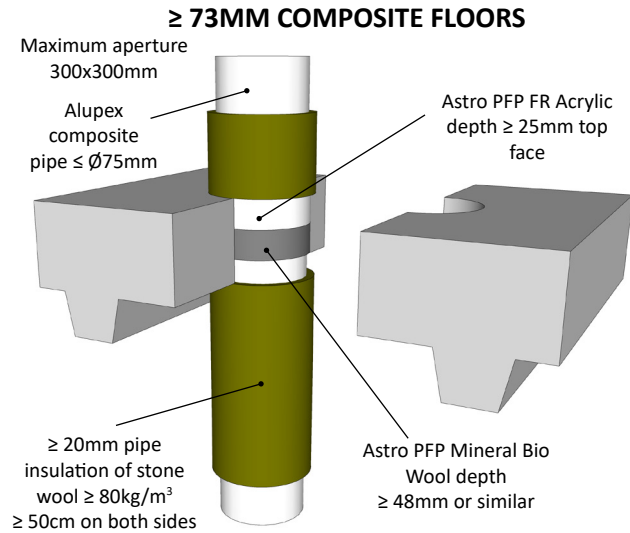
INSULATED ALUPEX PIPE FIRE RESISTANCE EI 120 C/C (E 180)

≥ 73MM COMPOSITE FLOORS



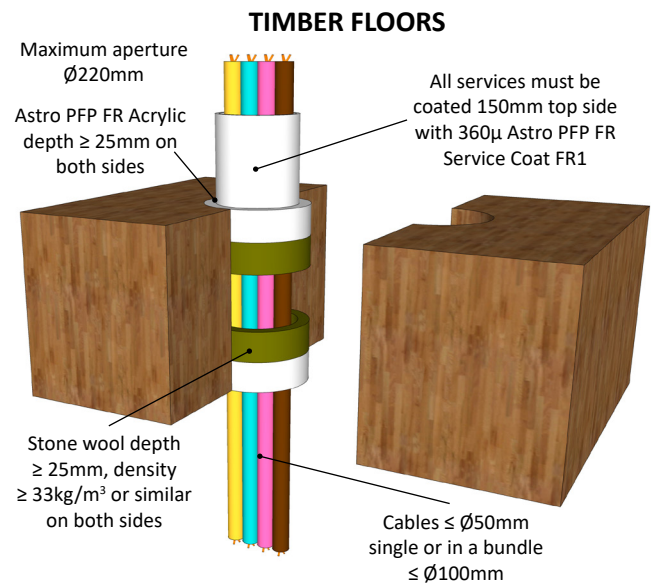
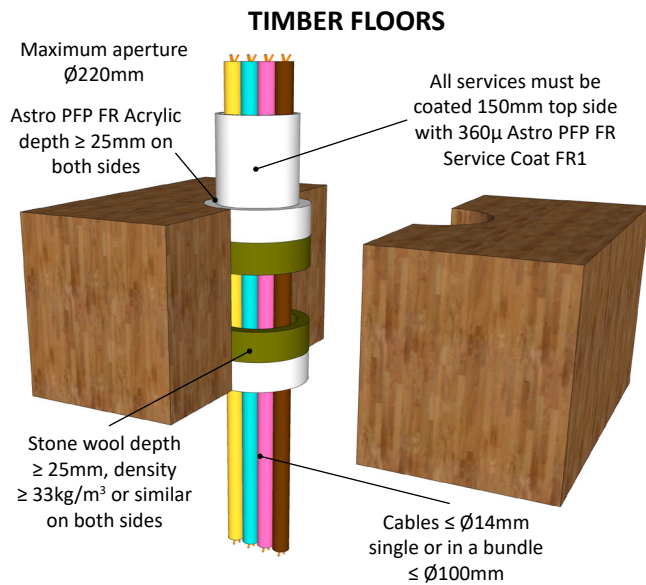
ALUPEX PIPE FIRE RESISTANCE EI 240 C/C (E 240 C/C)

PEX PIPE-IN-PIPE SYSTEM FIRE RESISTANCE EI 90 C/C (E 90)



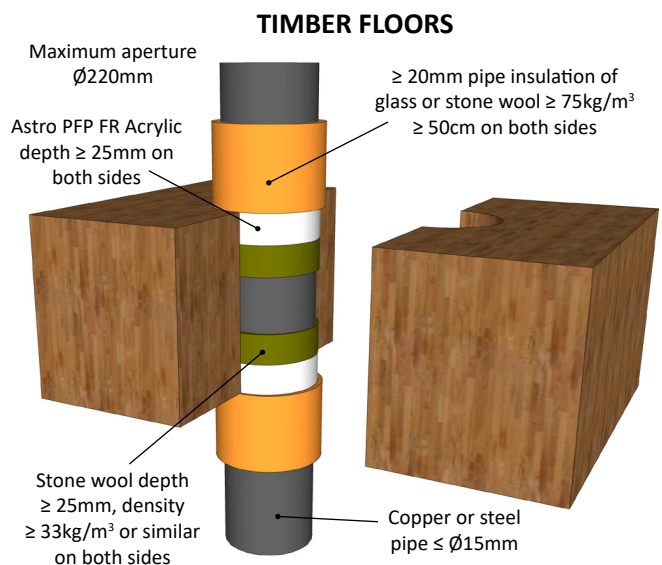
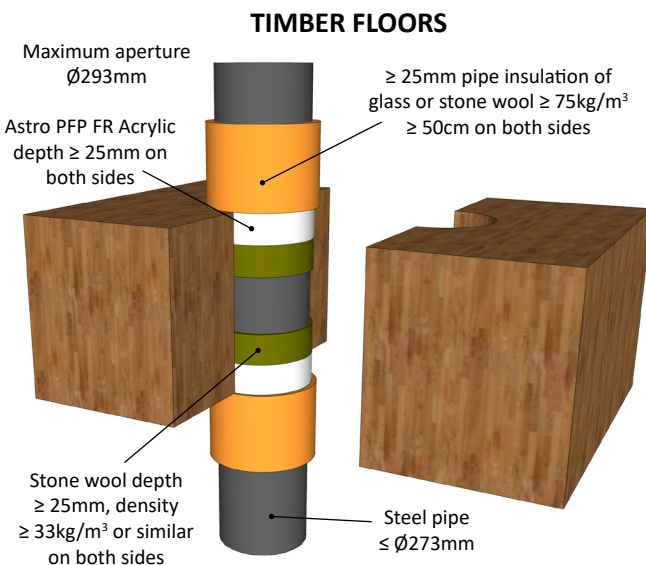
CABLES FIRE RESISTANCE EI 120 (E 120)

CABLES FIRE RESISTANCE EI 90 (E 120)

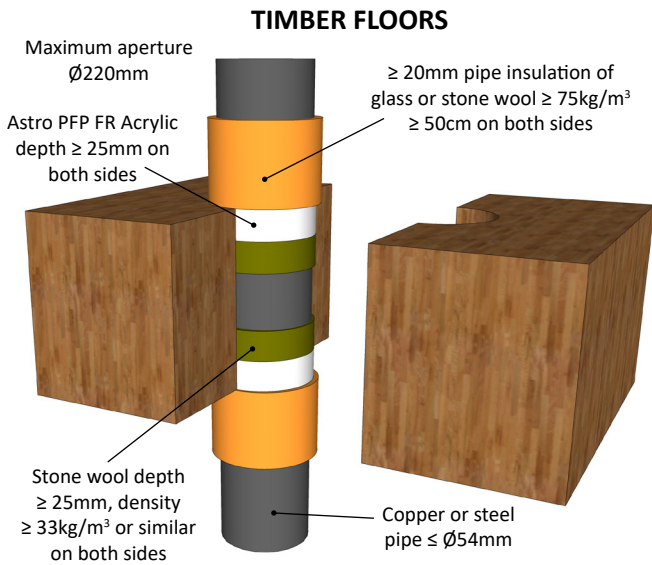


STEEL PIPE FIRE RESISTANCE EI 60 C/C (E 120)

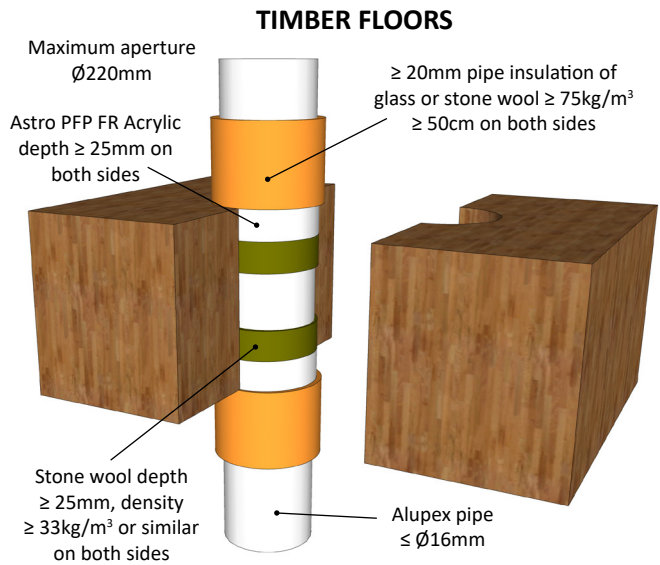
COPPER OR STEEL PIPE FIRE RESISTANCE EI 120 C/C (E 120)



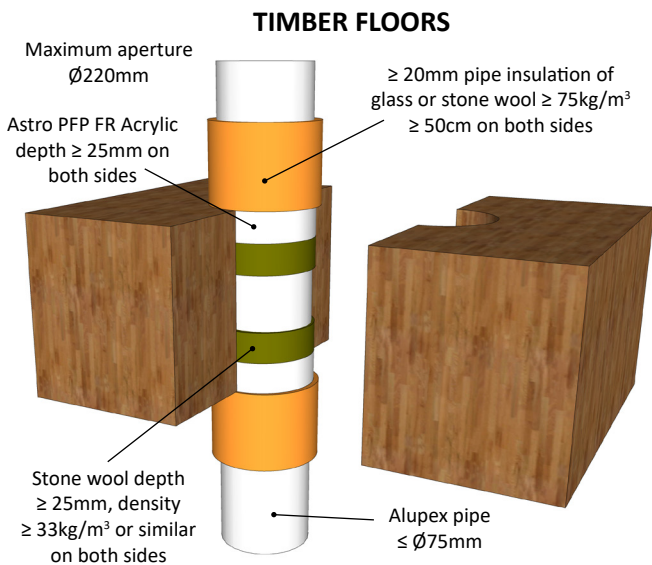
COPPER OR STEEL PIPE FIRE RESISTANCE EI 90 C/C (E 120)



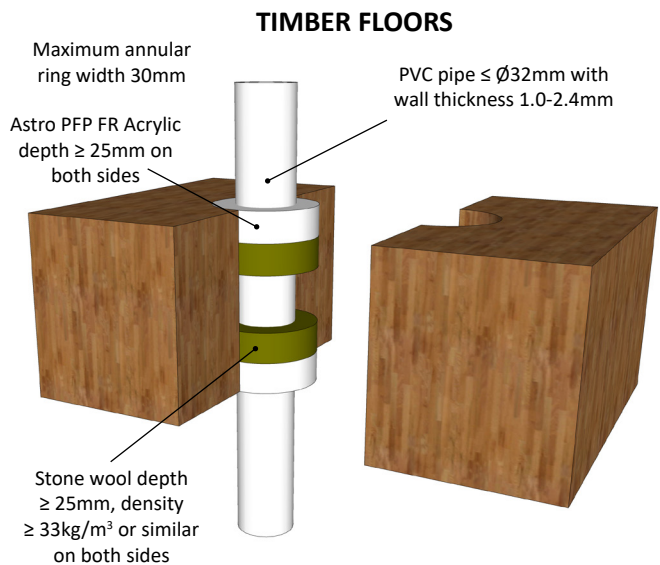
ALUPEX PIPE FIRE RESISTANCE EI 120 C/C (E 120)



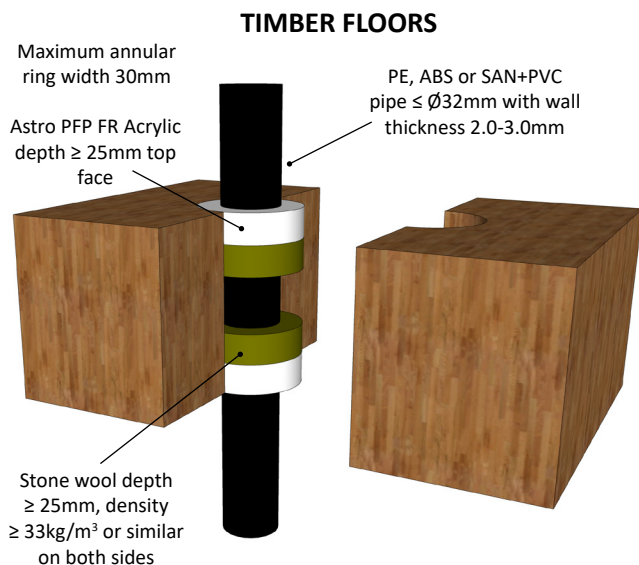
ALUPEX PIPE FIRE RESISTANCE EI 90 C/C (E 120)



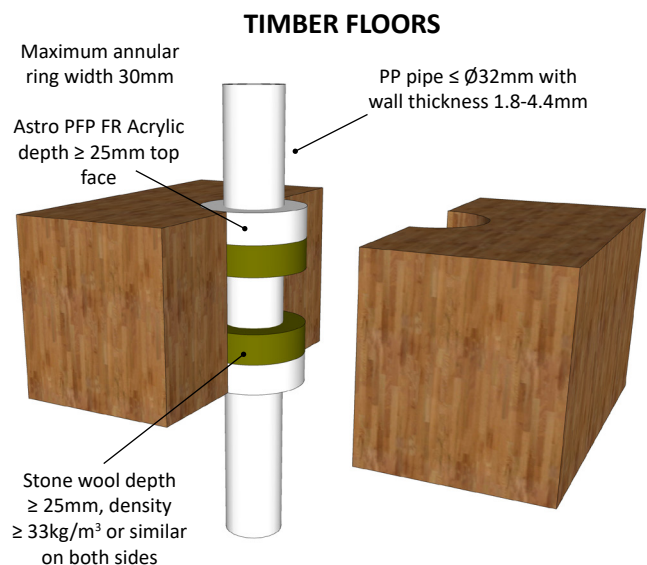
PVC PIPE FIRE RESISTANCE EI 120 U/C (E 120)



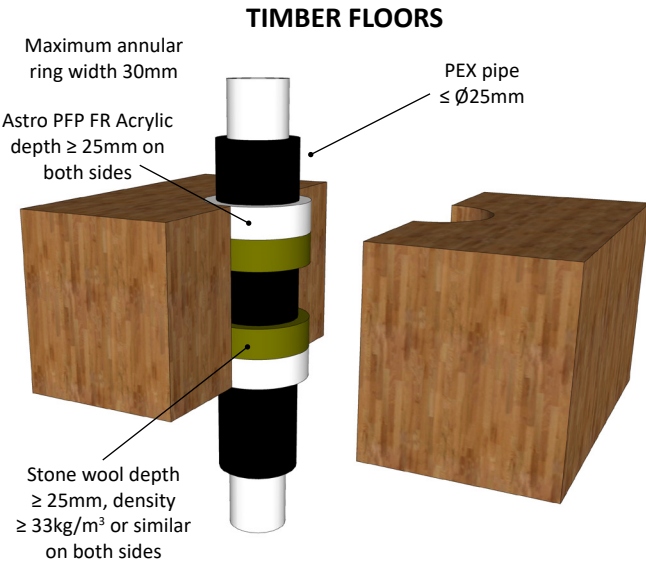
PE PIPE FIRE RESISTANCE EI 120 U/C (E 120)



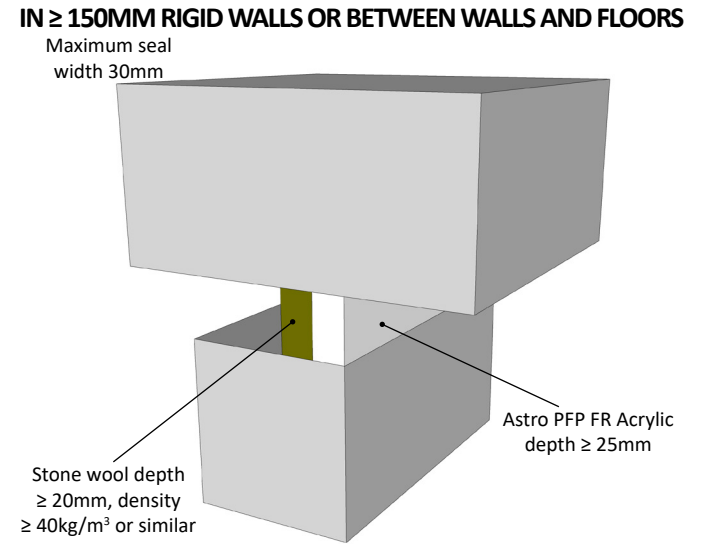
PP PIPE FIRE RESISTANCE EI 120 U/C (E 120)



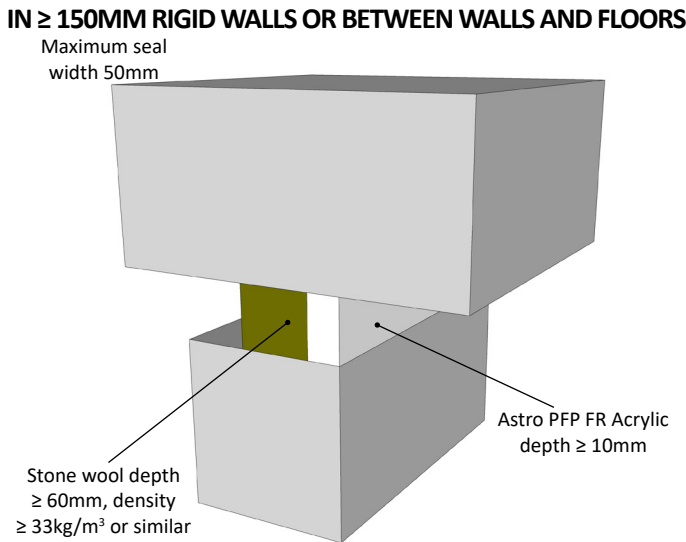
PEX PIPE-IN-PIPE SYSTEM FIRE RESISTANCE EI 120 C/C (E 120)



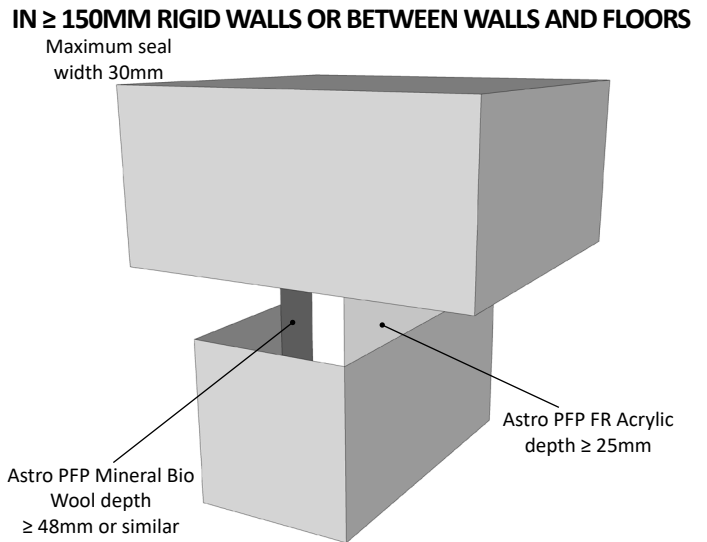
HORIZONTAL LINEAR SEALS FIRE RESISTANCE EI 60 (E 240)



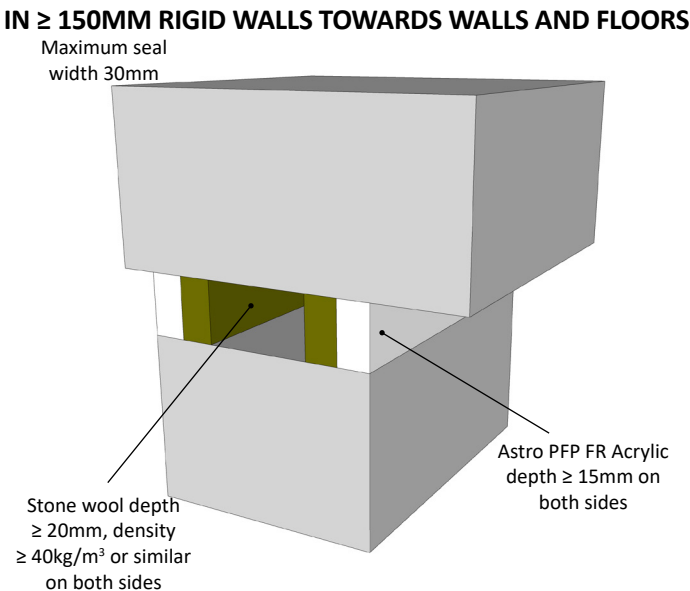
HORIZONTAL LINEAR SEALS FIRE RESISTANCE EI 60 (E 240)



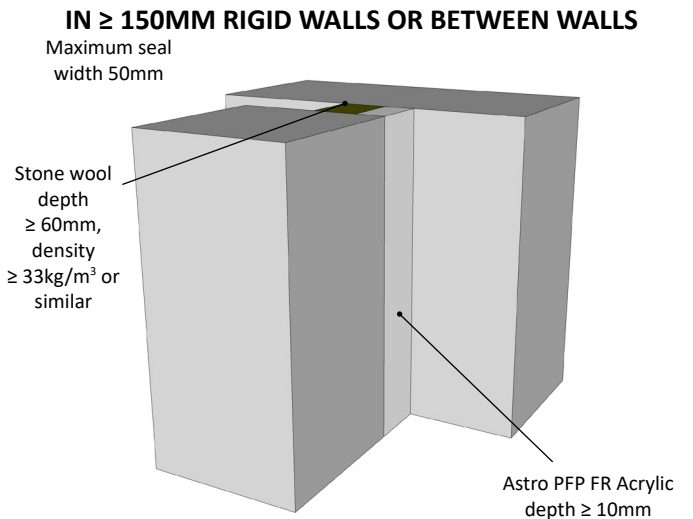
HORIZONTAL LINEAR SEALS FIRE RESISTANCE EI 120 (E 240)



HORIZONTAL & VERTICAL SEALS FIRE RESISTANCE EI 240

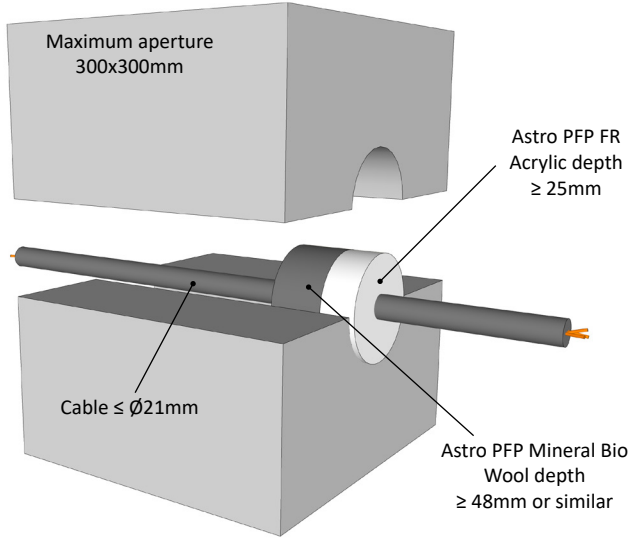


VERTICAL LINEAR SEALS FIRE RESISTANCE EI 120 (E 120)



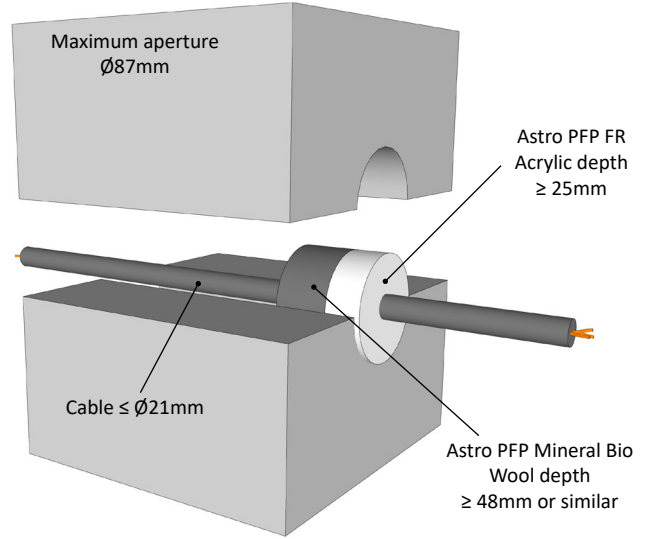
CABLE FIRE RESISTANCE EI 60 (E 240)

≥ 150MM MASONRY OR CONCRETE WALLS



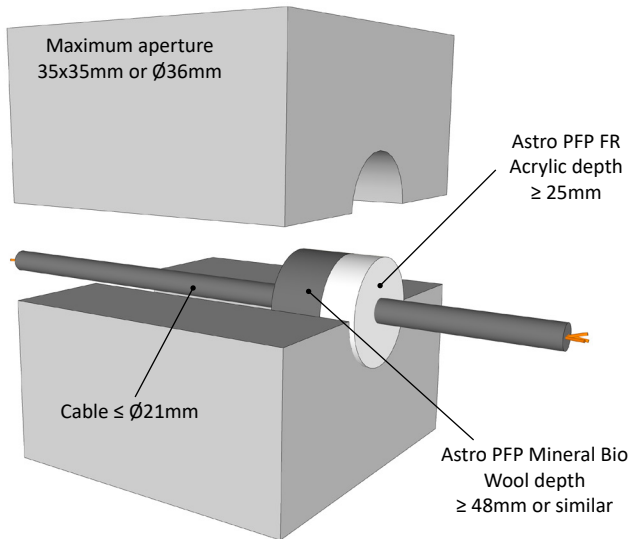
CABLES FIRE RESISTANCE EI 60 (E 120)

≥ 150MM MASONRY OR CONCRETE WALLS



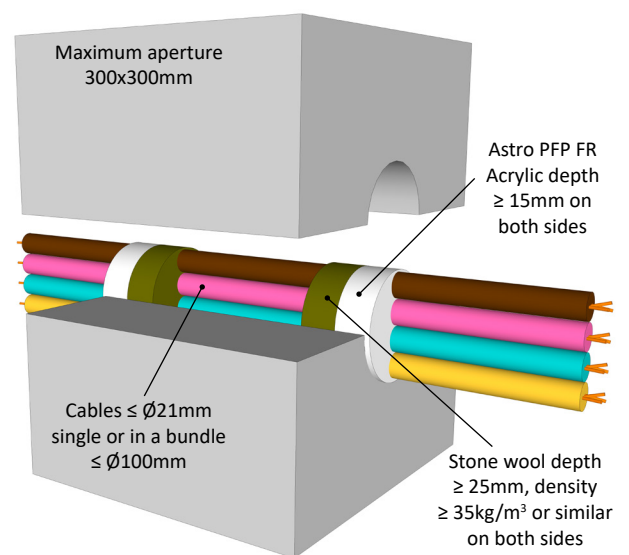
CABLE FIRE RESISTANCE EI 120 (E 240)

≥ 150MM MASONRY OR CONCRETE WALLS



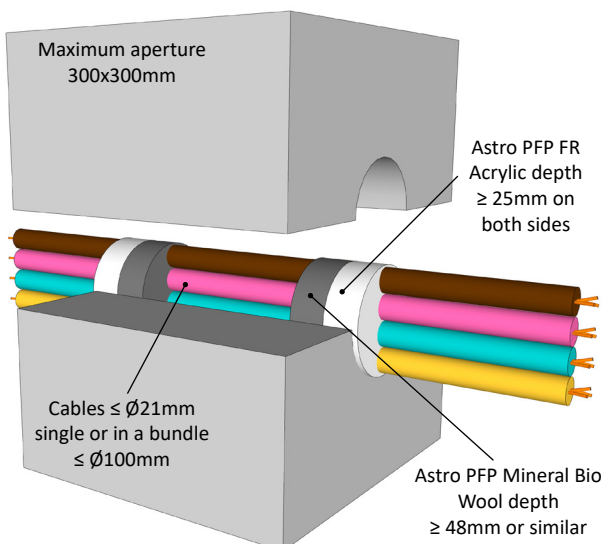
CABLE FIRE RESISTANCE EI 120 (E 240)

≥ 150MM MASONRY OR CONCRETE WALLS



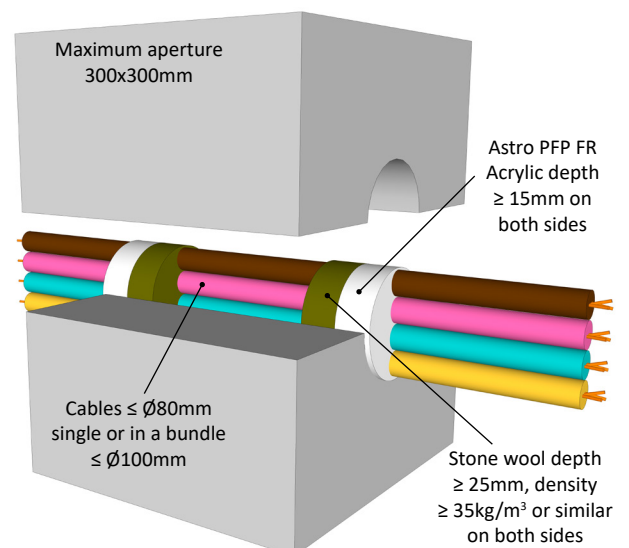
CABLES FIRE RESISTANCE EI 240 (E 240)

≥ 150MM MASONRY OR CONCRETE WALLS



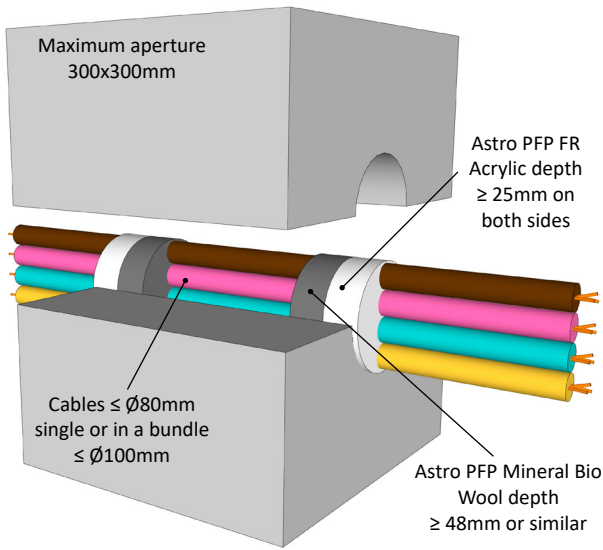
CABLES FIRE RESISTANCE EI 60 (E 120)

≥ 150MM MASONRY OR CONCRETE WALLS



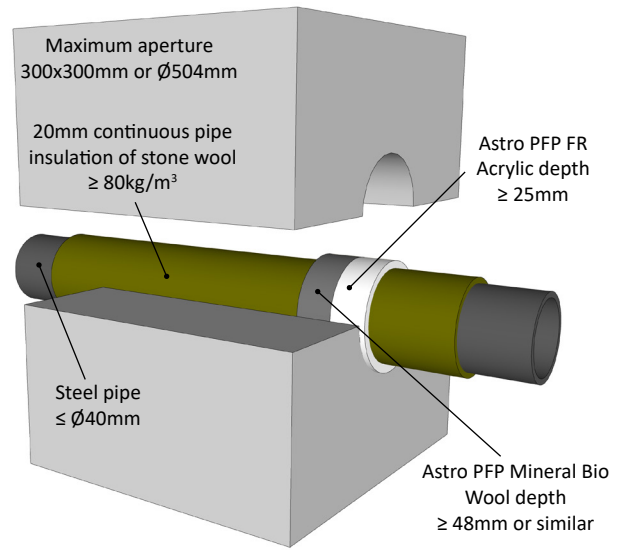
CABLES FIRE RESISTANCE EI 60 (E 240)

≥ 150MM MASONRY OR CONCRETE WALLS



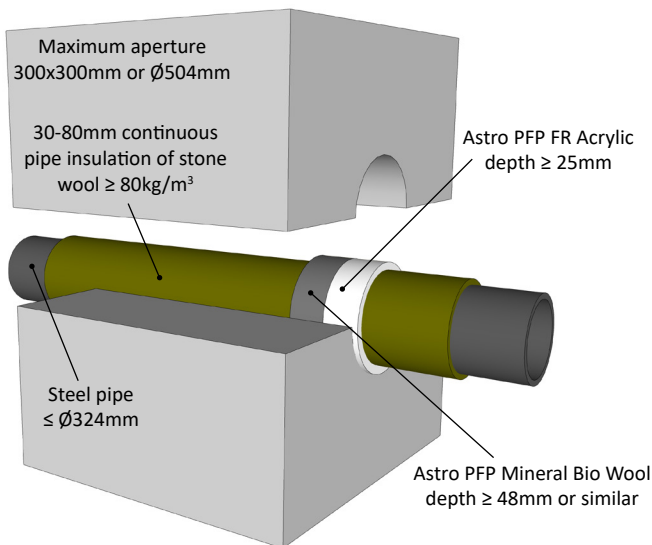
INSULATED STEEL PIPE FIRE RESISTANCE EI 240 C/U (E 240)

≥ 150MM MASONRY OR CONCRETE WALLS



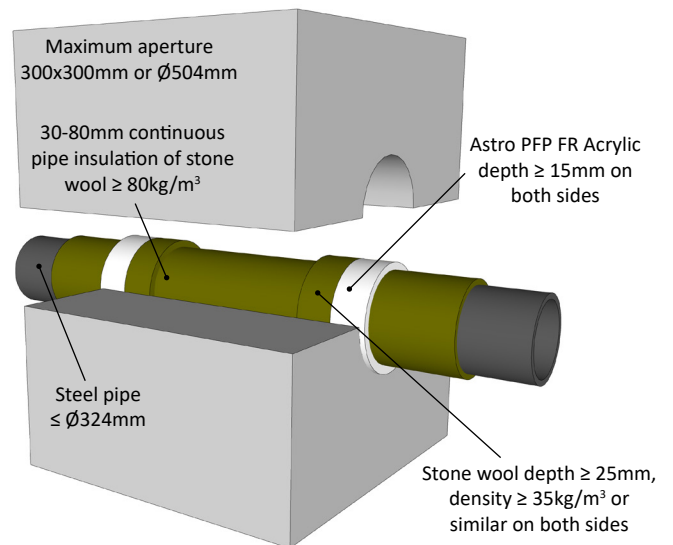
INSULATED STEEL PIPE FIRE RESISTANCE EI 180 C/U (E 180)

≥ 150MM MASONRY OR CONCRETE WALLS



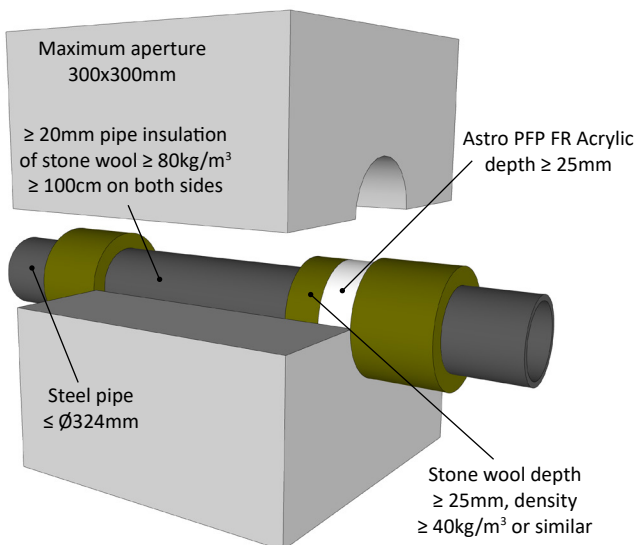
INSULATED STEEL PIPE FIRE RESISTANCE EI 240 C/U (E 240)

≥ 150MM MASONRY OR CONCRETE WALLS



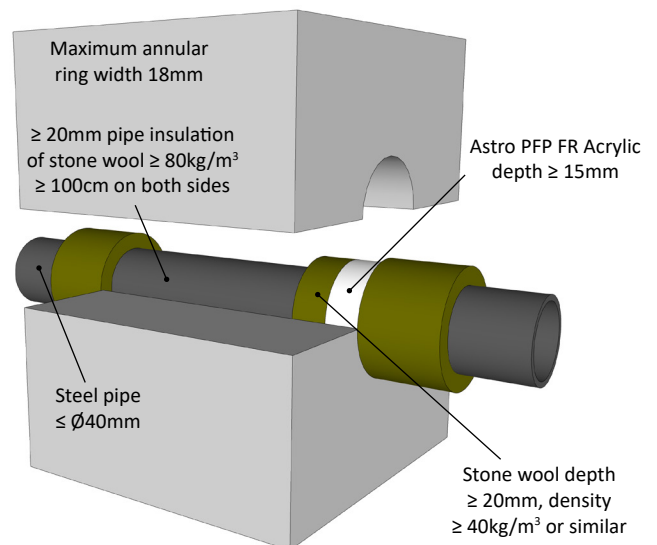
STEEL PIPE FIRE RESISTANCE EI 60 C/U (E 240)

≥ 150MM MASONRY OR CONCRETE WALLS



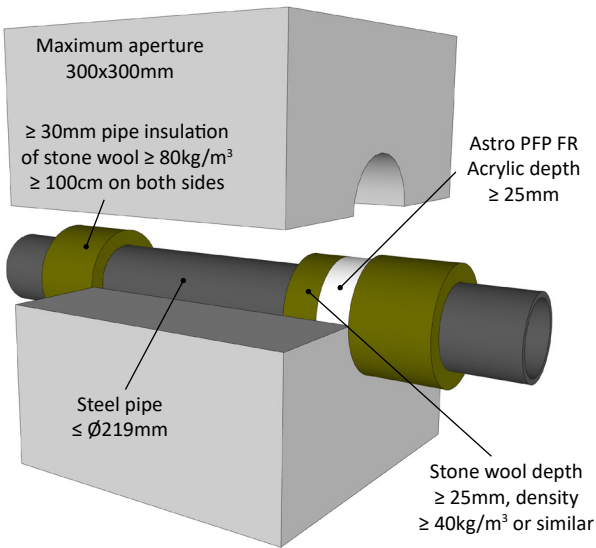
STEEL PIPE FIRE RESISTANCE EI 240 C/U (E 240)

≥ 150MM MASONRY OR CONCRETE WALLS



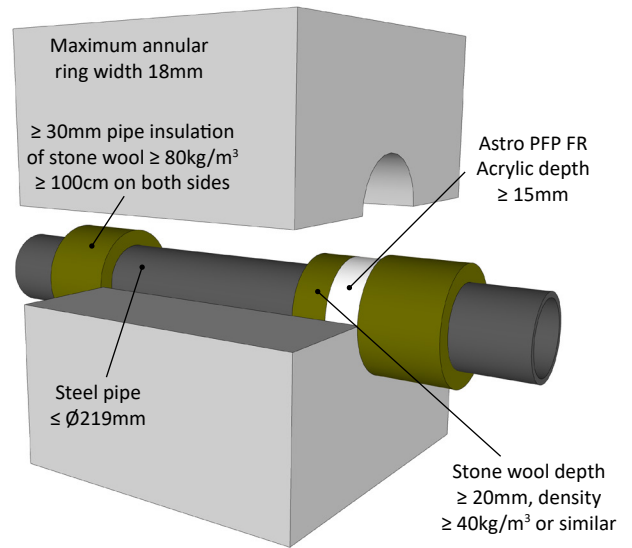
STEEL PIPE FIRE RESISTANCE EI 60 C/U (E 240)

≥ 150MM MASONRY OR CONCRETE WALLS



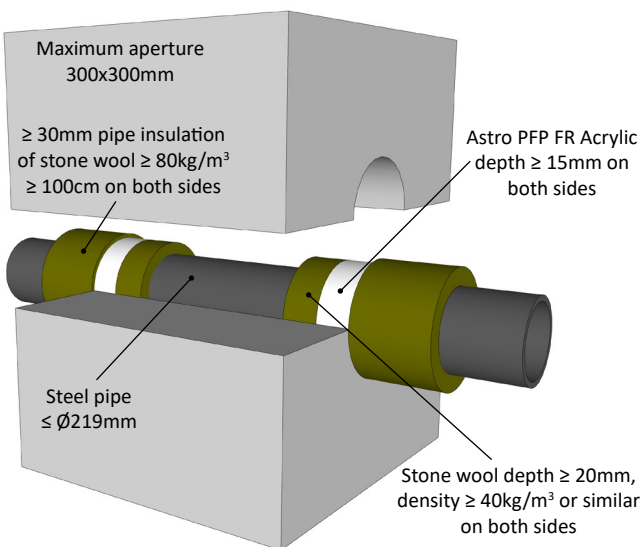
STEEL PIPE FIRE RESISTANCE EI 90 C/U (E 180)

≥ 150MM MASONRY OR CONCRETE WALLS



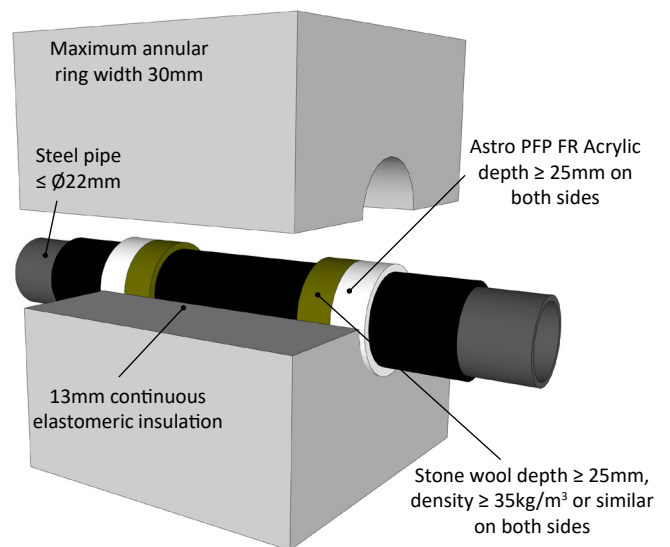
STEEL PIPE FIRE RESISTANCE EI 120 C/U (E 240)

≥ 150MM MASONRY OR CONCRETE WALLS



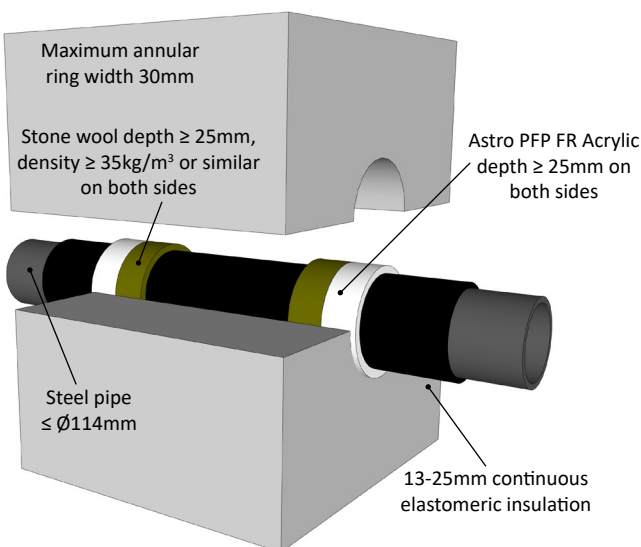
STEEL PIPE FIRE RESISTANCE EI 180 C/U (E 240)

≥ 150MM MASONRY OR CONCRETE WALLS



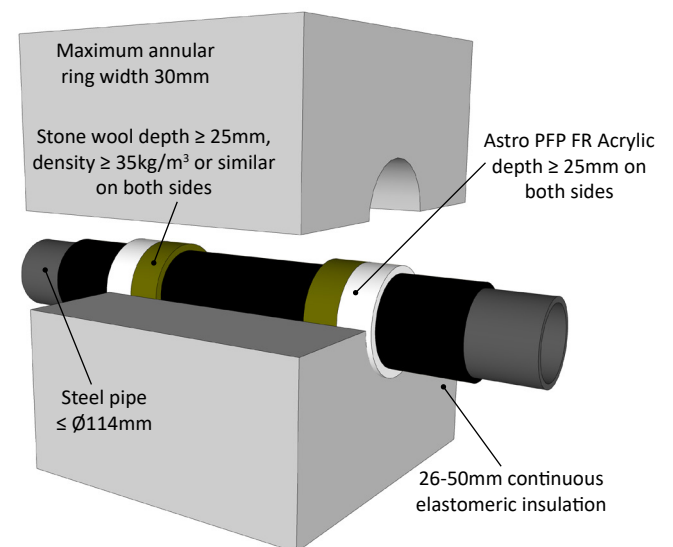
STEEL PIPE FIRE RESISTANCE EI 90 C/U (E 120)

≥ 150MM MASONRY OR CONCRETE WALLS



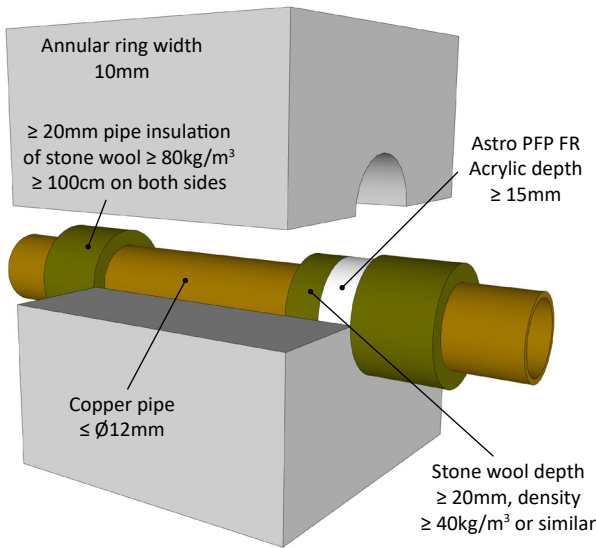
STEEL PIPE FIRE RESISTANCE EI 60 C/U (E 60)

≥ 150MM MASONRY OR CONCRETE WALLS



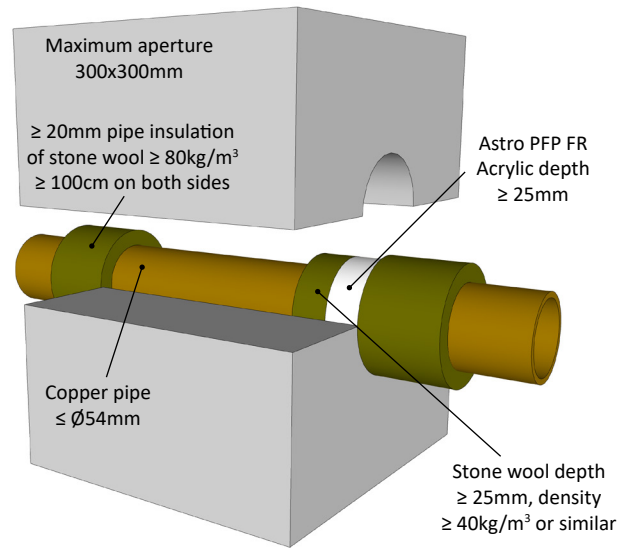
COPPER PIPE FIRE RESISTANCE EI 240 C/U (E 240)

≥ 150MM MASONRY OR CONCRETE WALLS



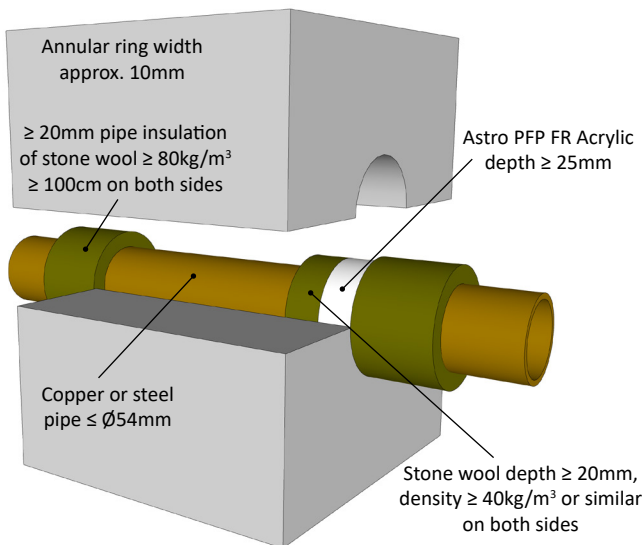
COPPER PIPE FIRE RESISTANCE EI 60 C/U (E 240)

≥ 150MM MASONRY OR CONCRETE WALLS



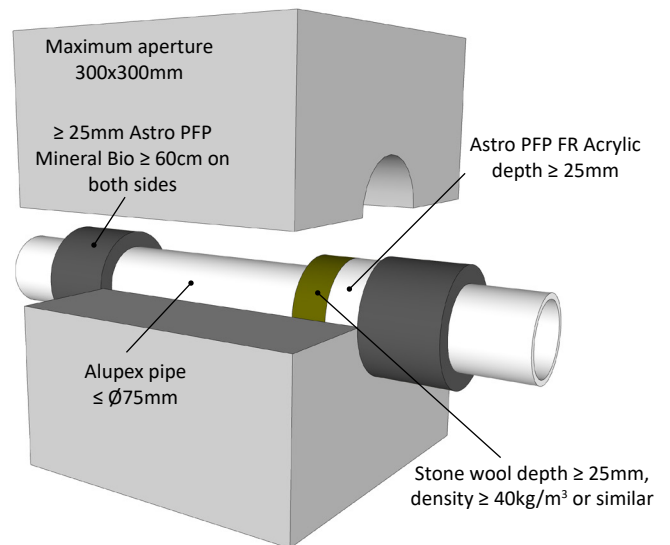
COPPER OR STEEL PIPE FIRE RESISTANCE EI 180 C/U (E 240)

≥ 150MM MASONRY OR CONCRETE WALLS



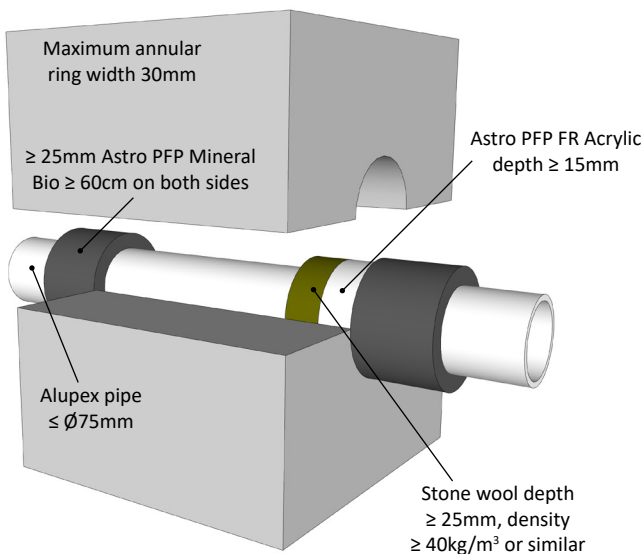
ALUPEX PIPE FIRE RESISTANCE EI 60 C/U (E 240)

≥ 150MM MASONRY OR CONCRETE WALLS



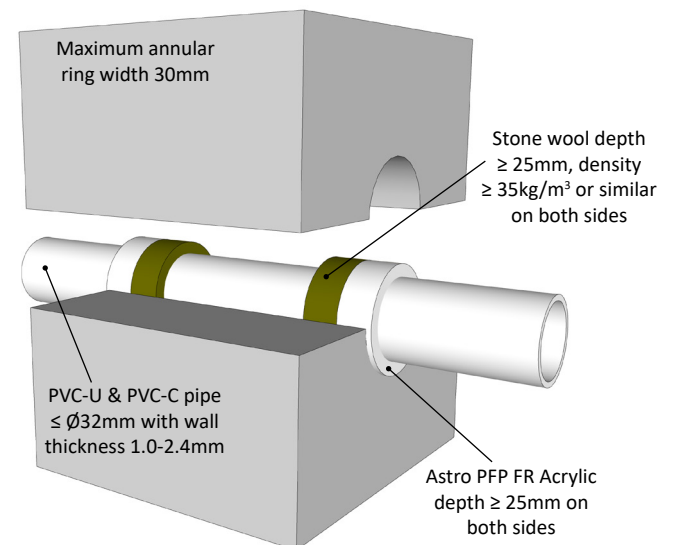
ALUPEX PIPE FIRE RESISTANCE EI 120 C/U (E 120)

≥ 150MM MASONRY OR CONCRETE WALLS



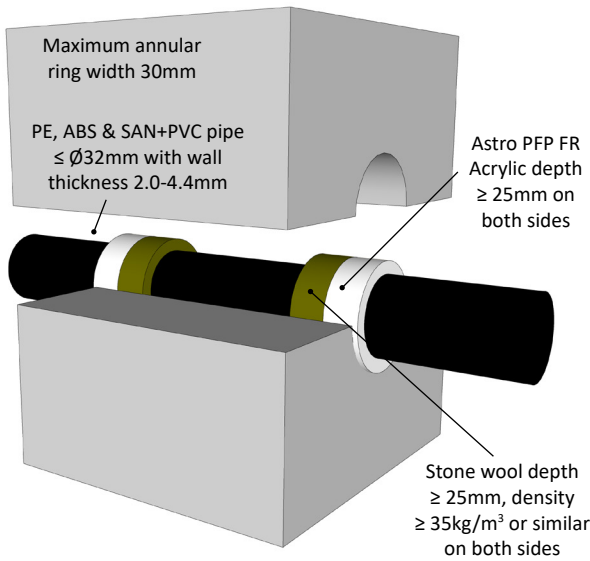
PVC PLASTIC PIPE FIRE RESISTANCE EI 240 U/C (E 240)

≥ 150MM MASONRY OR CONCRETE WALLS



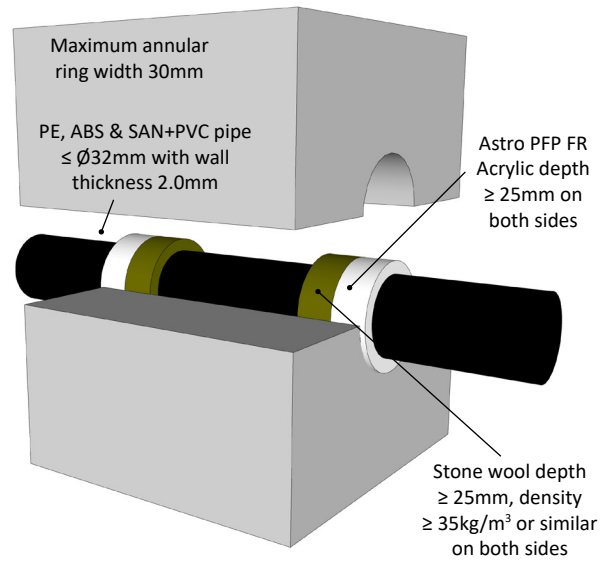
PE PLASTIC PIPE FIRE RESISTANCE EI 120 C/U (E 120)

≥ 150MM MASONRY OR CONCRETE WALLS



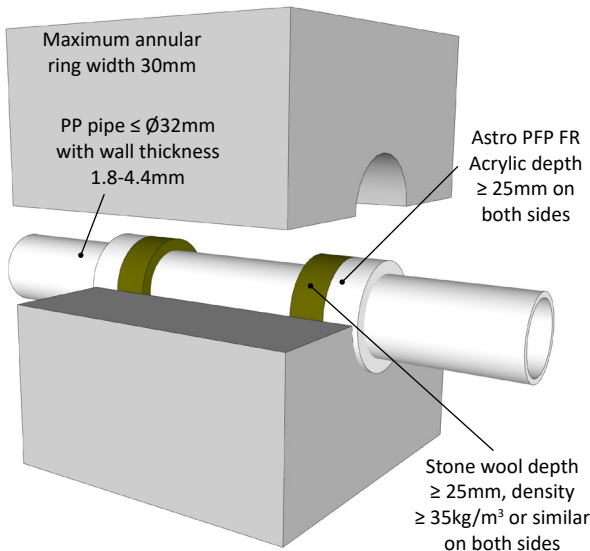
PE PLASTIC PIPE FIRE RESISTANCE EI 240 C/U (E 240)

≥ 150MM MASONRY OR CONCRETE WALLS



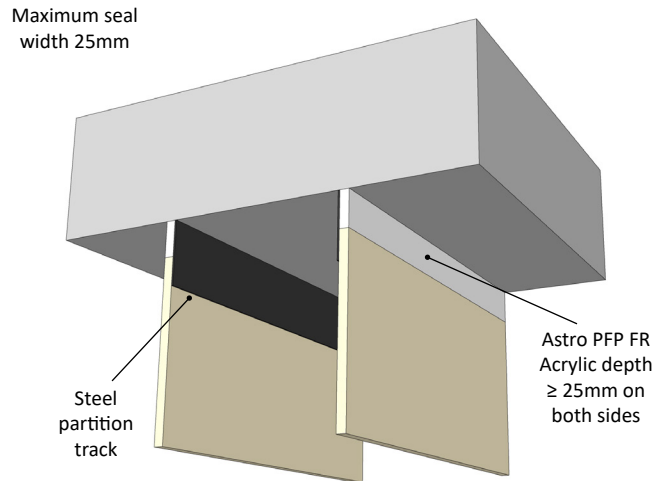
PP PLASTIC PIPE FIRE RESISTANCE EI 240 C/U (E 240)

≥ 150MM MASONRY OR CONCRETE WALLS



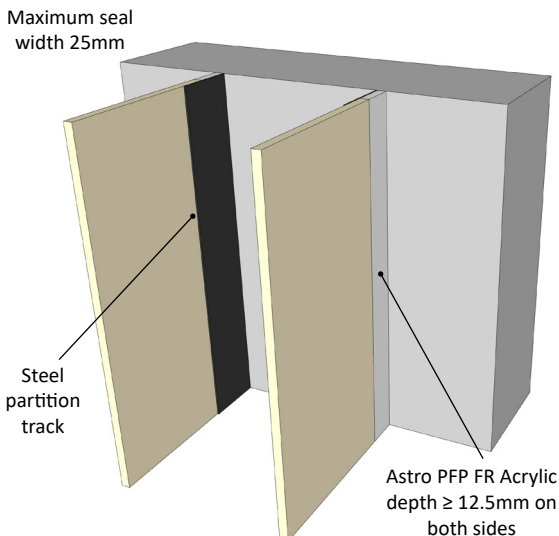
HORIZONTAL LINEAR SEALS FIRE RESISTANCE EI 45 (E 60)

BETWEEN ≥ 75MM DRYWALLS AND FLOORS



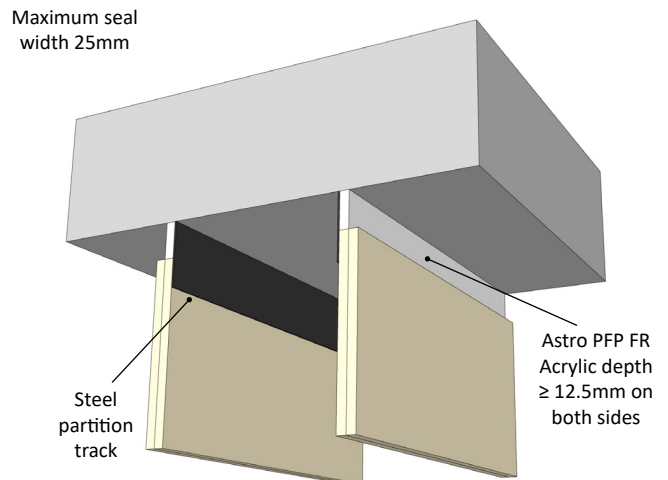
VERTICAL LINEAR SEALS FIRE RESISTANCE EI 45 (E 60)

IN ≥ 75MM DRYWALLS OR BETWEEN WALLS



HORIZONTAL LINEAR SEALS FIRE RESISTANCE EI 90 (E 90)

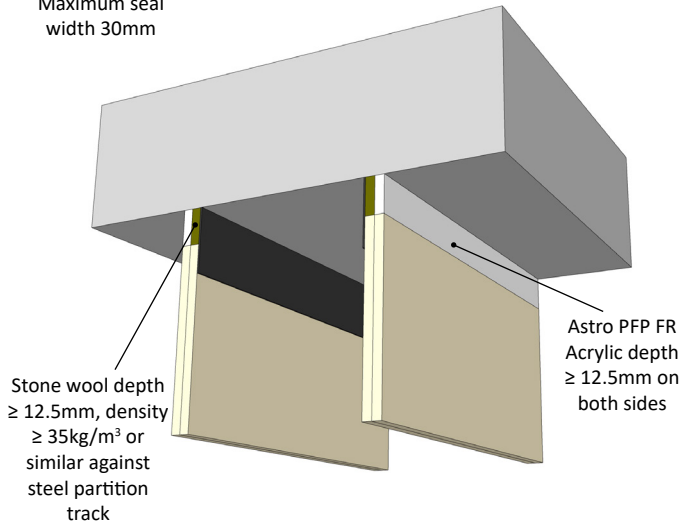
BETWEEN ≥ 100MM DRYWALLS AND FLOORS



HORIZONTAL LINEAR SEALS FIRE RESISTANCE EI 120 (E 120)

BETWEEN ≥ 100MM DRYWALLS AND FLOORS

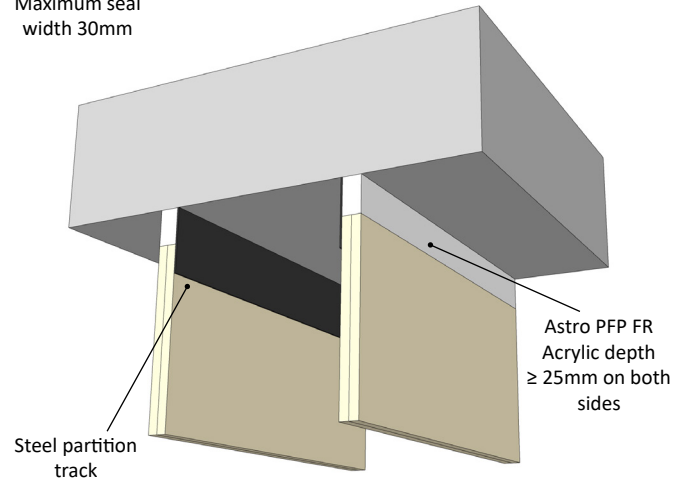
Maximum seal width 30mm



HORIZONTAL LINEAR SEALS FIRE RESISTANCE EI 120 (E 120)

≥ 150MM MASONRY OR CONCRETE WALLS

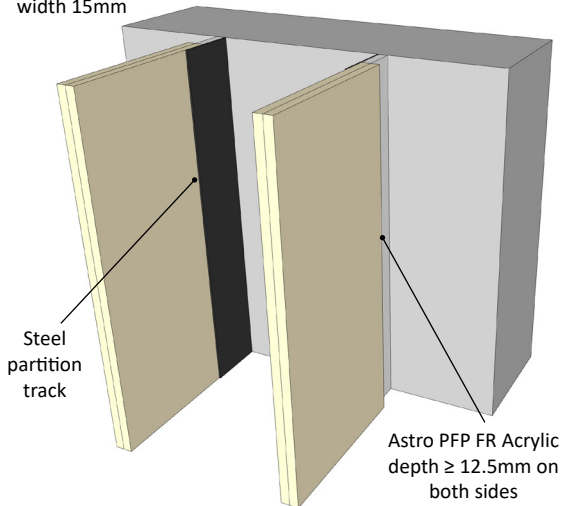
Maximum seal width 30mm



VERTICAL LINEAR SEALS FIRE RESISTANCE EI 90 (E 90)

IN ≥ 100MM DRYWALLS OR BETWEEN WALLS

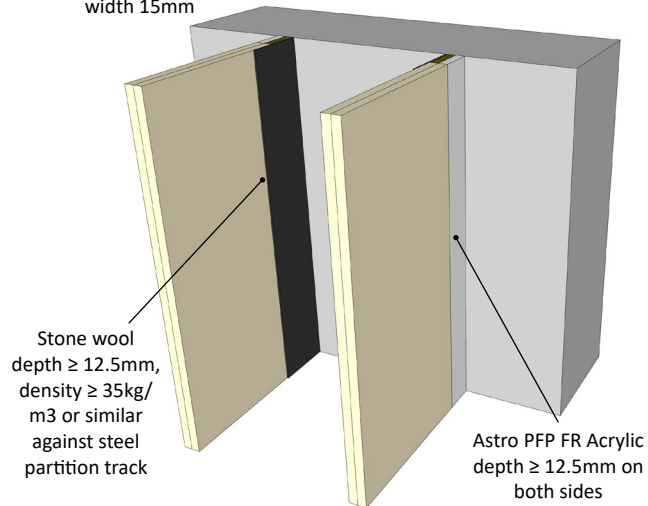
Maximum seal width 15mm



VERTICAL LINEAR SEALS FIRE RESISTANCE EI 90 (E 90)

IN ≥ 100MM DRYWALLS OR BETWEEN WALLS

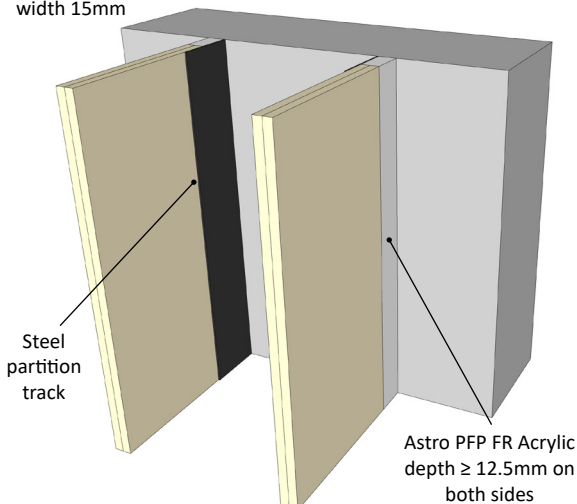
Maximum seal width 15mm



VERTICAL LINEAR SEALS FIRE RESISTANCE EI 90 (E 90)

IN ≥ 100MM DRYWALLS OR BETWEEN WALLS

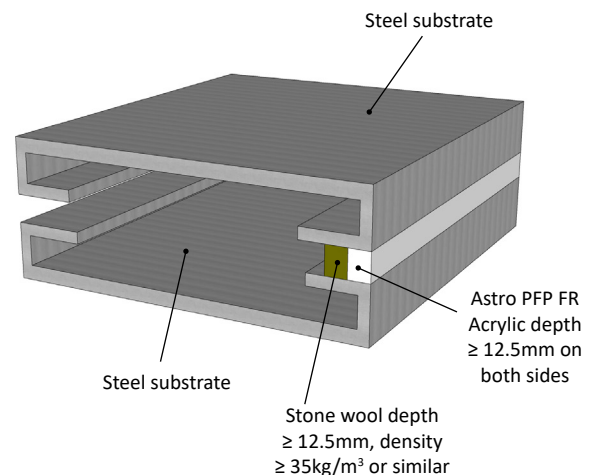
Maximum seal width 15mm



HORIZONTAL & VERTICAL SEALS FIRE RESISTANCE EI 30 (E 120)

IN ≥ 100MM DRYWALLS, MASONRY OR CONCRETE WALLS

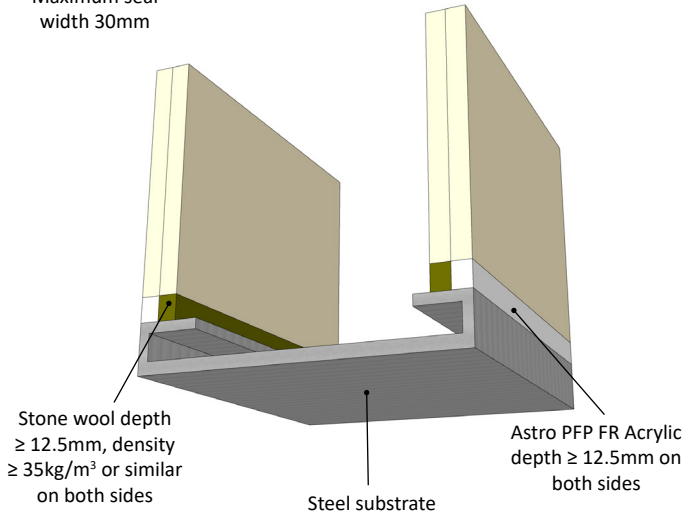
Maximum seal width 30mm



HORIZONTAL LINEAR SEALS FIRE RESISTANCE EI 45 (E 120)

IN ≥ 100MM DRYWALLS, MASONRY OR CONCRETE WALLS

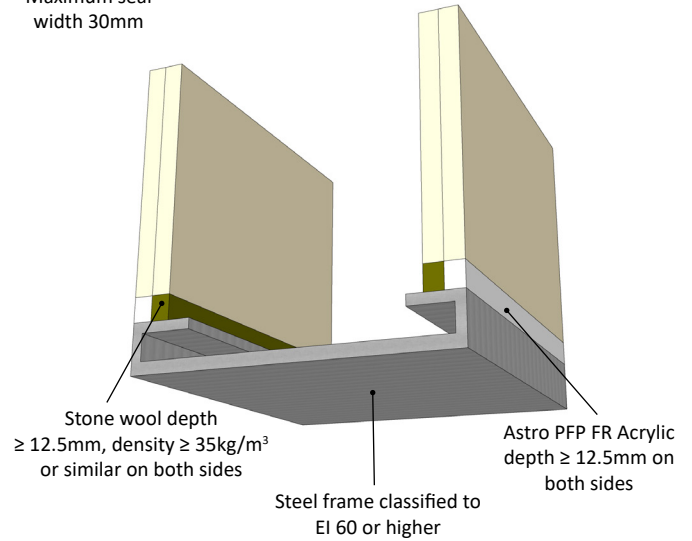
Maximum seal width 30mm



HORIZONTAL & VERTICAL SEALS FIRE RESISTANCE EI 60 (E 120)

IN ≥ 100MM DRYWALLS, MASONRY OR CONCRETE WALLS

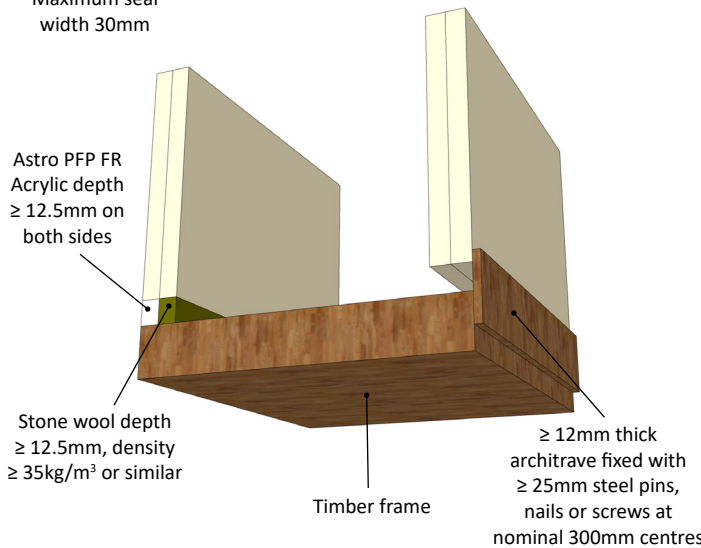
Maximum seal width 30mm



HORIZONTAL & VERTICAL SEALS FIRE RESISTANCE EI 60 (E 60)

IN ≥ 100MM DRYWALLS, MASONRY OR CONCRETE WALLS

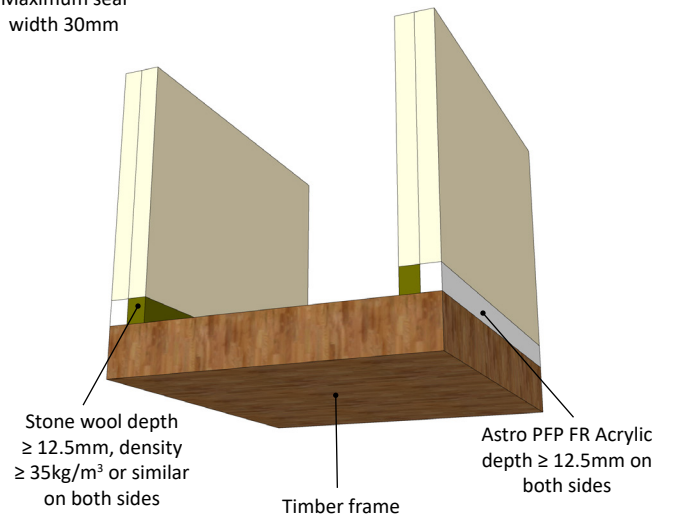
Maximum seal width 30mm



HORIZONTAL & VERTICAL SEALS FIRE RESISTANCE EI 60 (E 90)

IN ≥ 100MM DRYWALLS, MASONRY OR CONCRETE WALLS

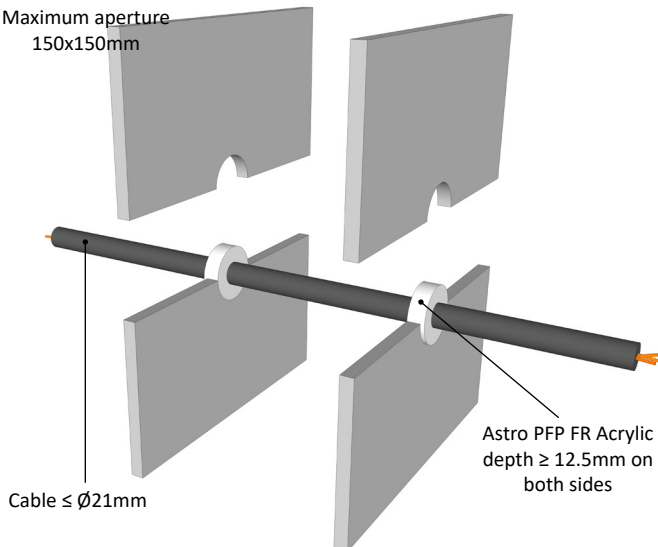
Maximum seal width 30mm



CABLE FIRE RESISTANCE EI 45 (E 60)

≥ 75MM DRYWALLS, MASONRY OR CONCRETE WALLS

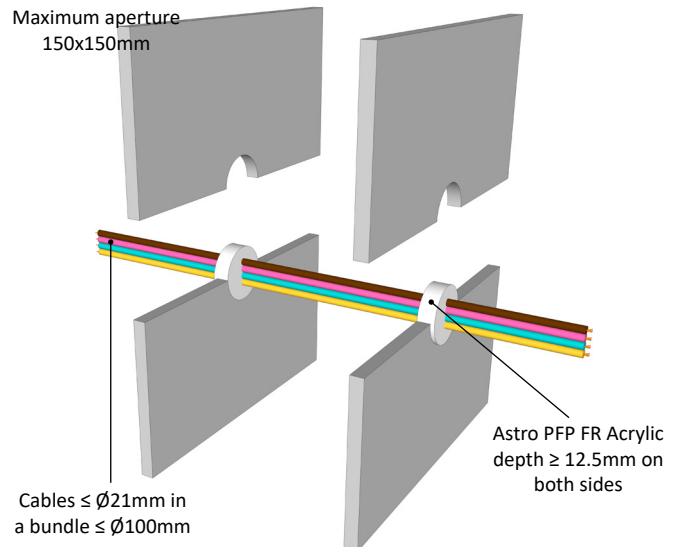
Maximum aperture 150x150mm



CABLES FIRE RESISTANCE EI 30 (E 45)

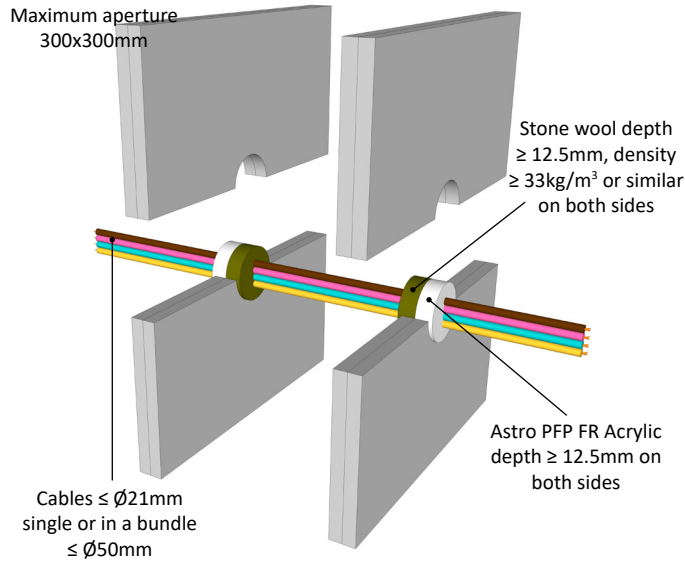
≥ 75MM DRYWALLS, MASONRY OR CONCRETE WALLS

Maximum aperture 150x150mm



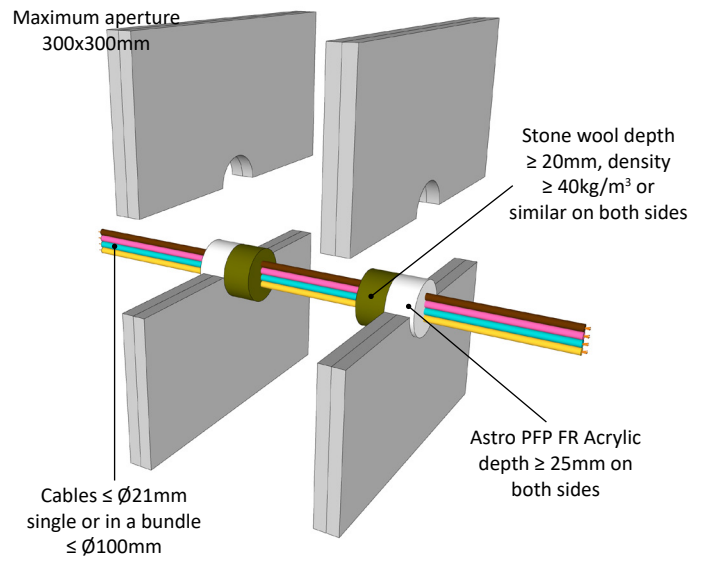
CABLES FIRE RESISTANCE EI 90 (E 120)

≥ 100MM DRYWALLS, MASONRY OR CONCRETE WALLS



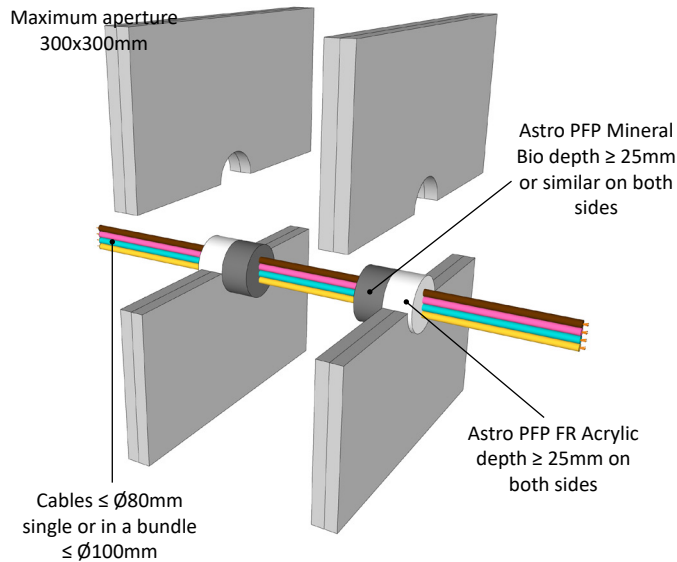
CABLES FIRE RESISTANCE EI 120 (E 120)

≥ 100MM DRYWALLS, MASONRY OR CONCRETE WALLS



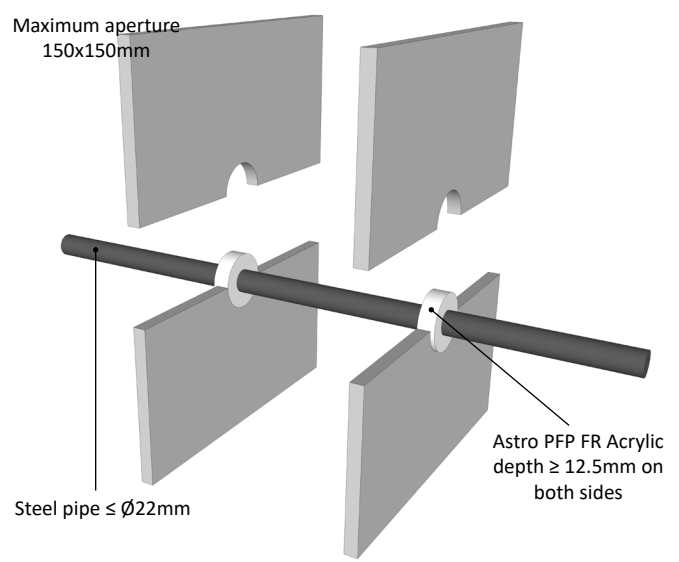
CABLES FIRE RESISTANCE EI 90 (E 120)

≥ 100MM DRYWALLS, MASONRY OR CONCRETE WALLS



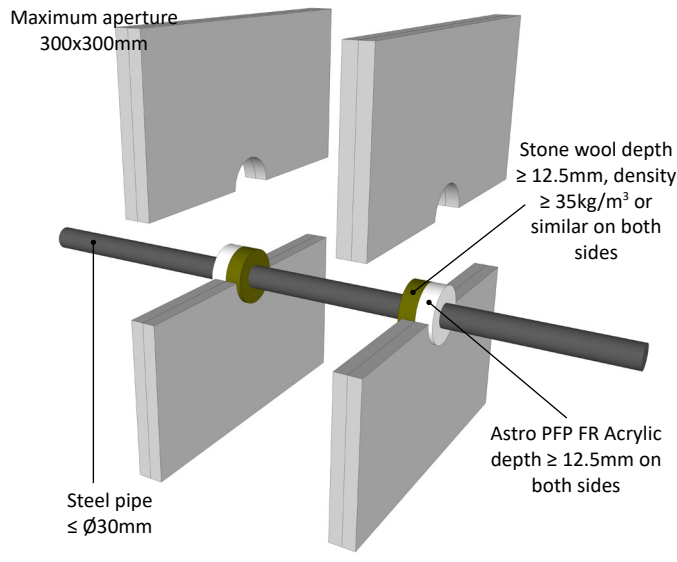
STEEL PIPE FIRE RESISTANCE EI 30 C/U (E 60 C/U)

≥ 75MM DRYWALLS, MASONRY OR CONCRETE WALLS



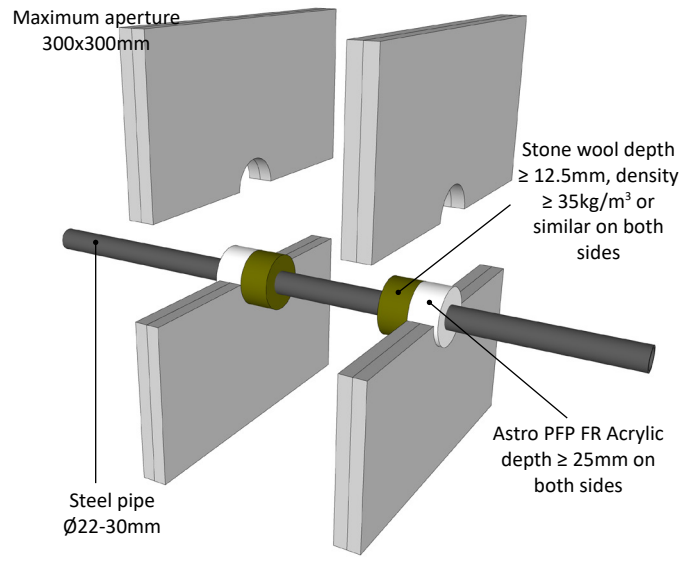
STEEL PIPE FIRE RESISTANCE EI 90 C/C (E 90 C/C)

≥ 100MM DRYWALLS, MASONRY OR CONCRETE WALLS



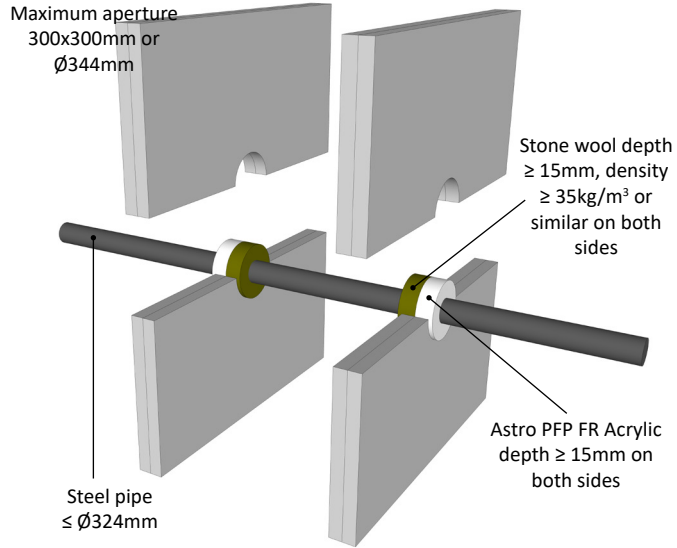
STEEL PIPE FIRE RESISTANCE EI 120 C/C (E 120)

≥ 100MM DRYWALLS, MASONRY OR CONCRETE WALLS



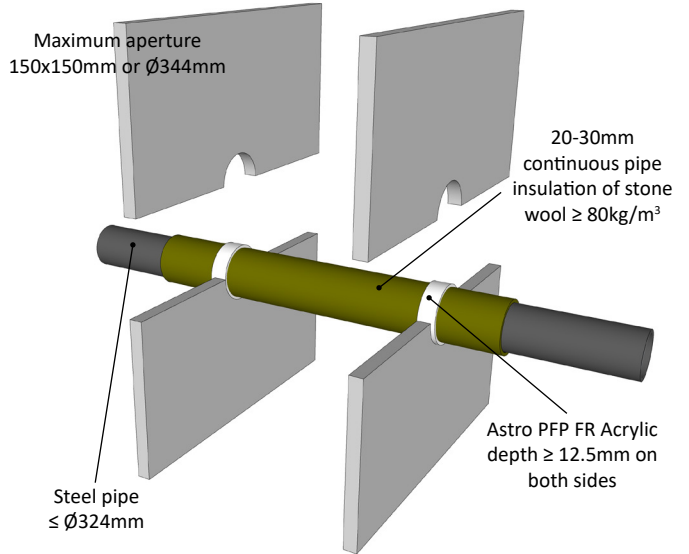
STEEL PIPE FIRE RESISTANCE E 120 C/U

≥ 120MM DRYWALLS, MASONRY OR CONCRETE WALLS



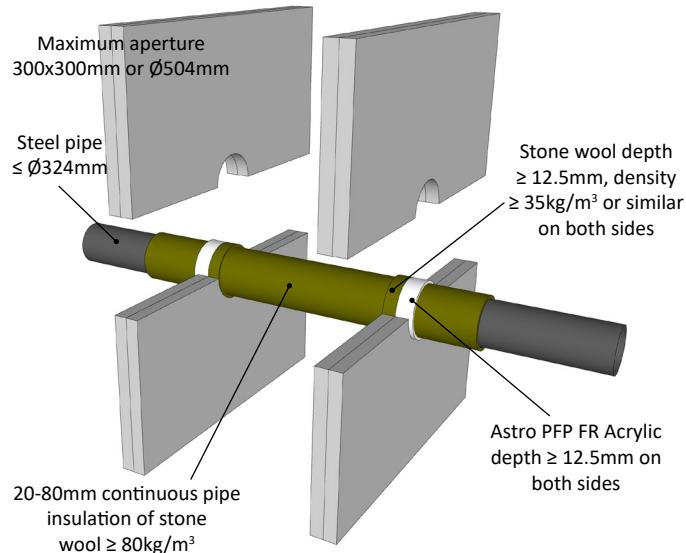
INSULATED STEEL PIPE FIRE RESISTANCE EI 45 C/U (E 60 C/U)

≥ 75MM DRYWALLS, MASONRY OR CONCRETE WALLS



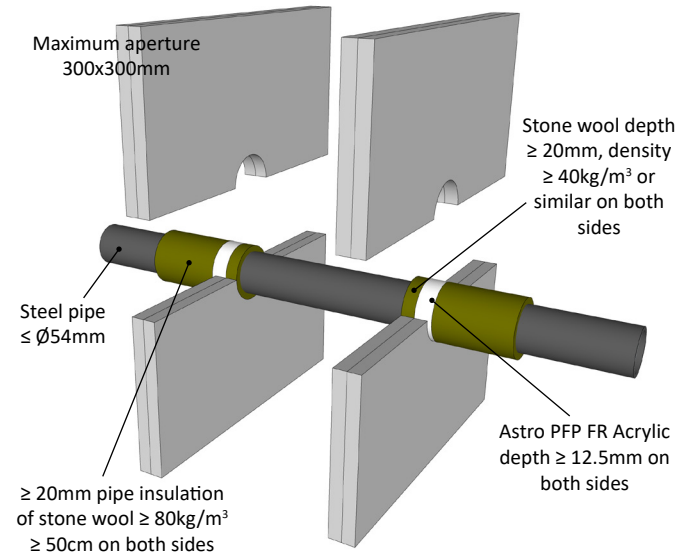
INSULATED STEEL PIPE FIRE RESISTANCE EI 90 C/U (E 120)

≥ 100MM DRYWALLS, MASONRY OR CONCRETE WALLS



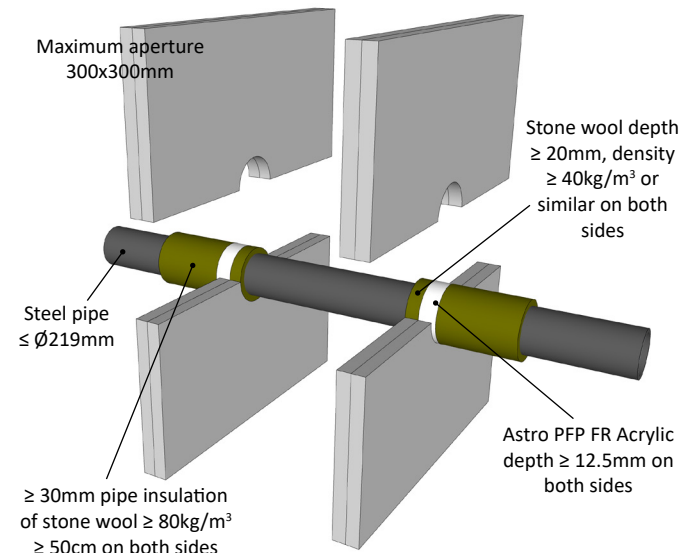
STEEL PIPE FIRE RESISTANCE EI 120 C/U (E 120)

≥ 100MM DRYWALLS, MASONRY OR CONCRETE WALLS



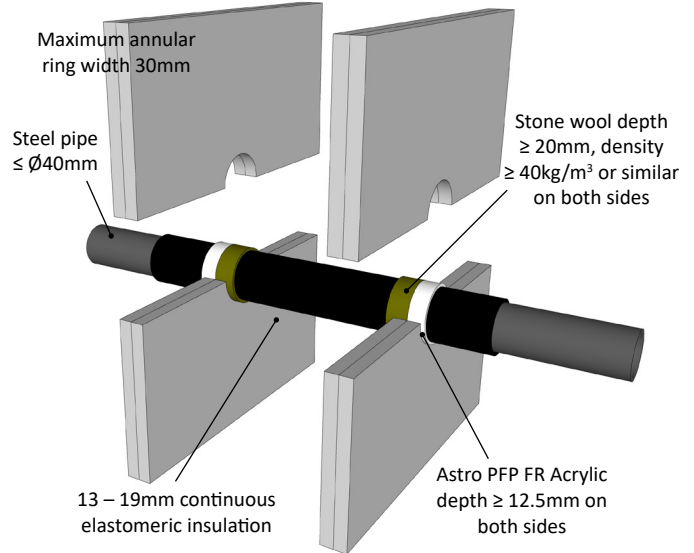
STEEL PIPE FIRE RESISTANCE EI 90 C/U (E 120)

≥ 100MM DRYWALLS, MASONRY OR CONCRETE WALLS



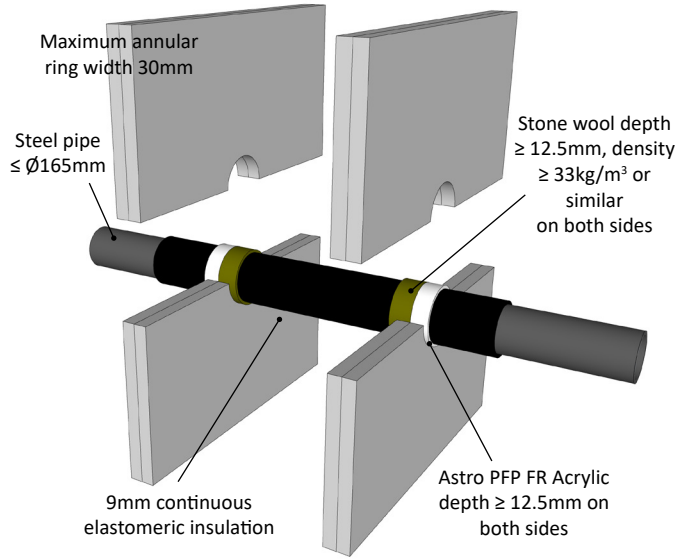
STEEL PIPE FIRE RESISTANCE EI 120 C/C (E 120)

≥ 100MM DRYWALLS, MASONRY OR CONCRETE WALLS



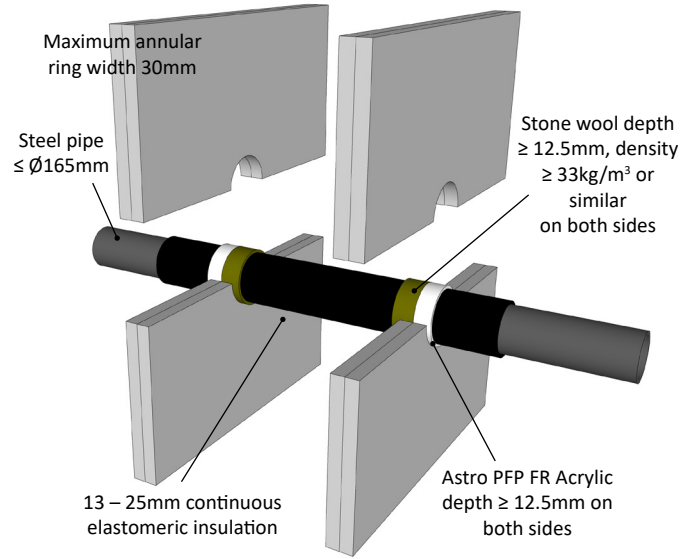
STEEL PIPE FIRE RESISTANCE EI 45 C/U (E 90)

≥ 100MM DRYWALLS, MASONRY OR CONCRETE WALLS



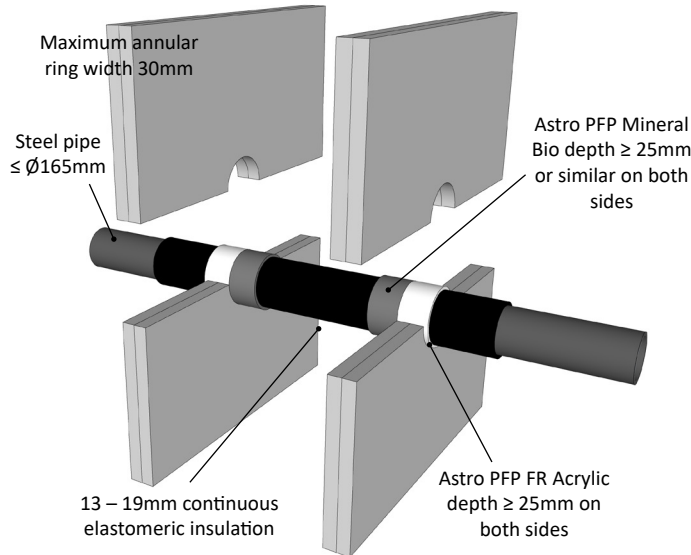
STEEL PIPE FIRE RESISTANCE EI 60 C/U (E 60)

≥ 100MM DRYWALLS, MASONRY OR CONCRETE WALLS



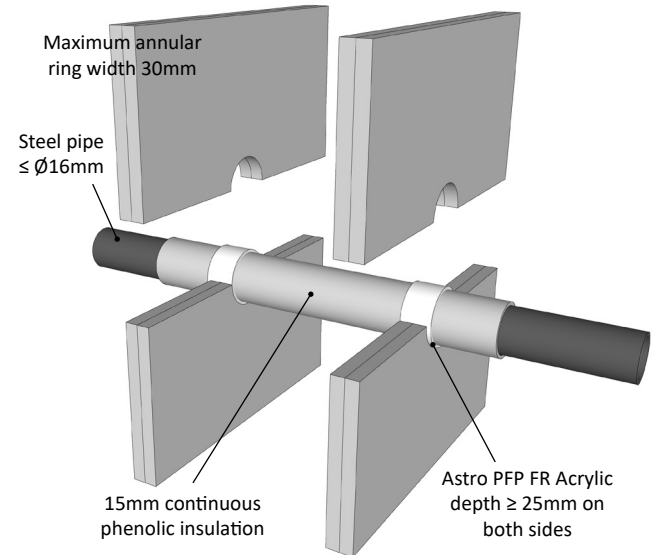
STEEL PIPE FIRE RESISTANCE EI 60 C/C (E 120)

≥ 100MM DRYWALLS, MASONRY OR CONCRETE WALLS



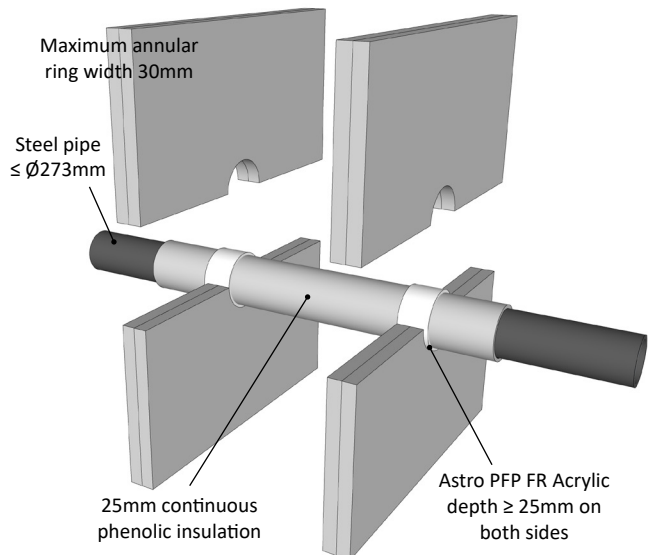
STEEL PIPE FIRE RESISTANCE EI 90 C/U (E 90)

≥ 100MM DRYWALLS, MASONRY OR CONCRETE WALLS



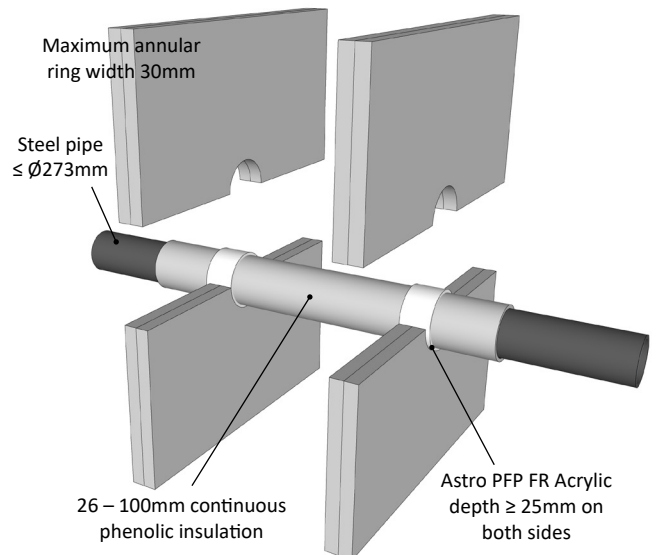
STEEL PIPE FIRE RESISTANCE EI 60 C/U (E 90)

≥ 100MM DRYWALLS, MASONRY OR CONCRETE WALLS



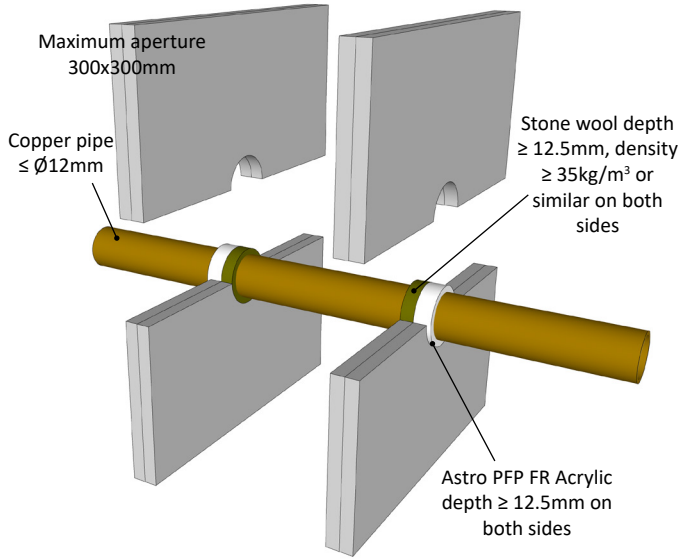
STEEL PIPE FIRE RESISTANCE EI 60 C/U (E 60)

≥ 100MM DRYWALLS, MASONRY OR CONCRETE WALLS



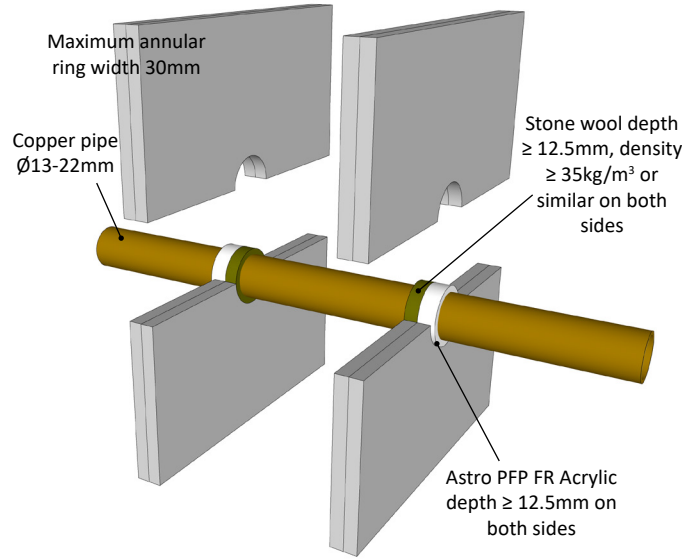
COPPER PIPE FIRE RESISTANCE EI 60 C/C (E 90)

≥ 100MM DRYWALLS, MASONRY OR CONCRETE WALLS



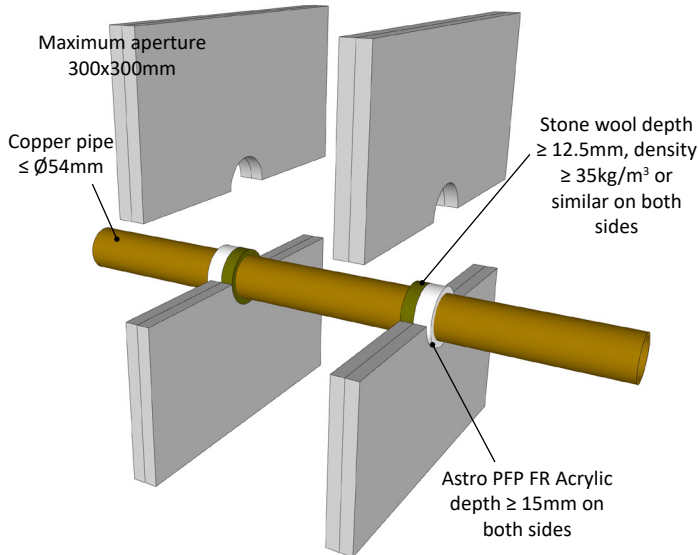
COPPER PIPE FIRE RESISTANCE EI 30 C/C (E 90)

≥ 100MM DRYWALLS, MASONRY OR CONCRETE WALLS



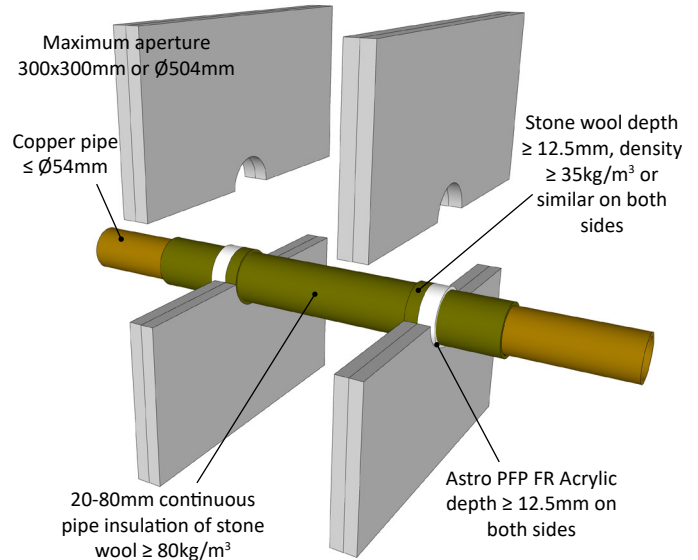
COPPER PIPE FIRE RESISTANCE E 120 C/C

≥ 100MM DRYWALLS, MASONRY OR CONCRETE WALLS



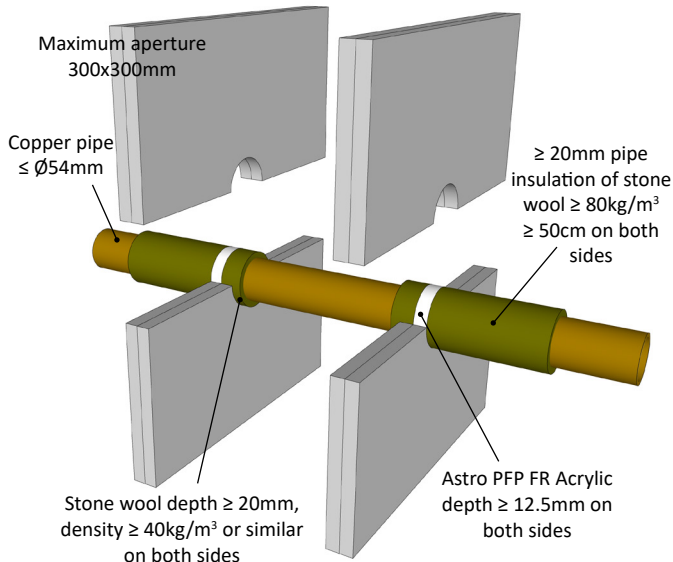
INSULATED COPPER PIPE FIRE RESISTANCE EI 60 C/C (E 120)

≥ 100MM DRYWALLS, MASONRY OR CONCRETE WALLS



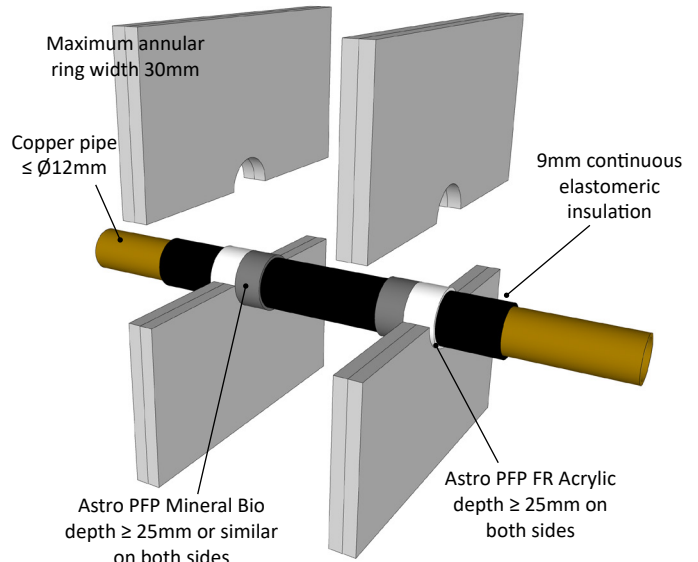
COPPER PIPE FIRE RESISTANCE EI 120 C/U (E 120)

≥ 100MM DRYWALLS, MASONRY OR CONCRETE WALLS



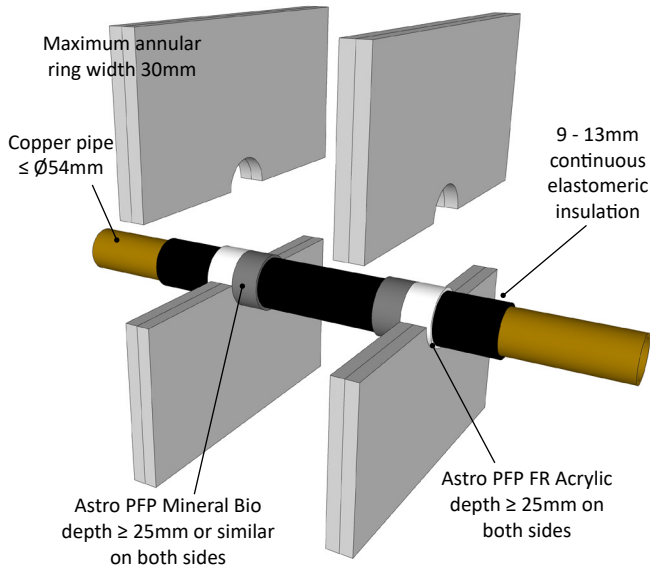
COPPER PIPE FIRE RESISTANCE EI 120 C/C (E 120)

≥ 100MM DRYWALLS, MASONRY OR CONCRETE WALLS



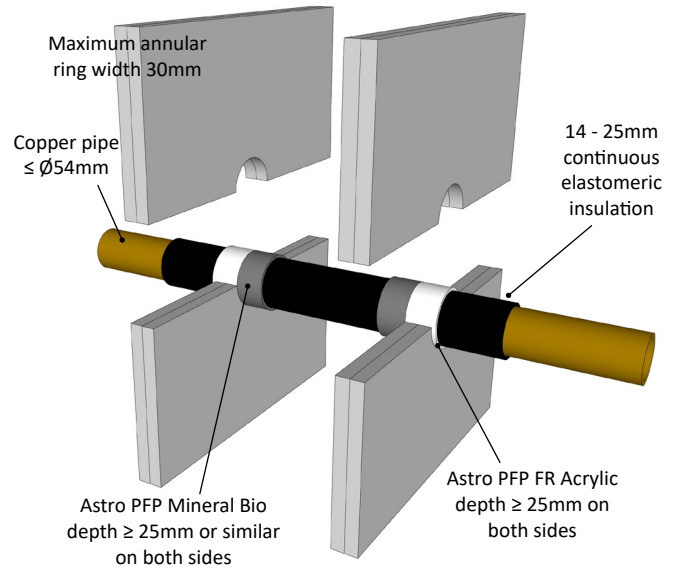
COPPER PIPE FIRE RESISTANCE EI 60 C/C (E 120)

≥ 100MM DRYWALLS, MASONRY OR CONCRETE WALLS



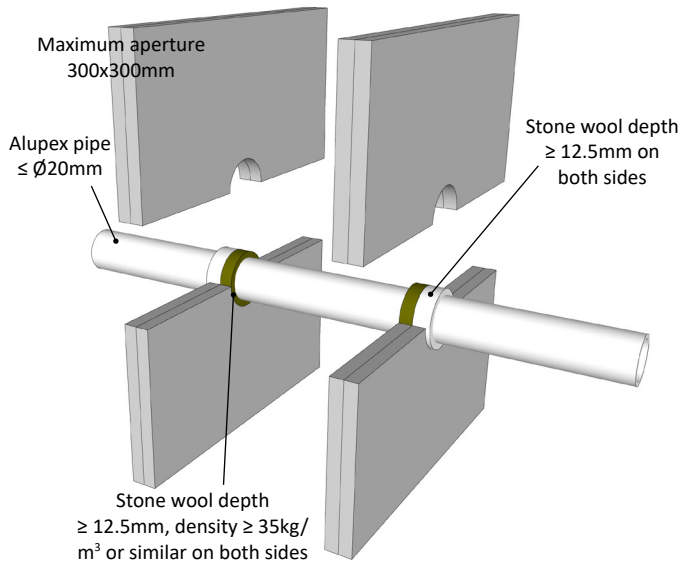
COPPER PIPE FIRE RESISTANCE EI 60 C/C (E 60)

≥ 100MM DRYWALLS, MASONRY OR CONCRETE WALLS



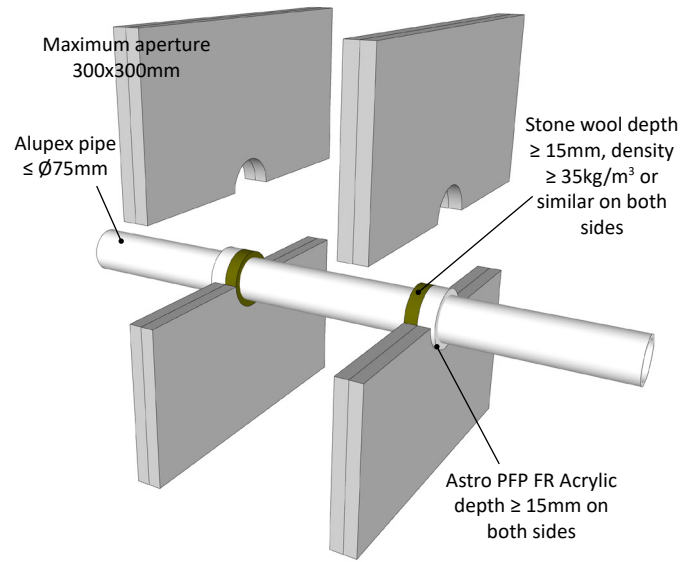
ALUPEX PIPE FIRE RESISTANCE EI 120 C/C (E 120)

≥ 100MM DRYWALLS, MASONRY OR CONCRETE WALLS



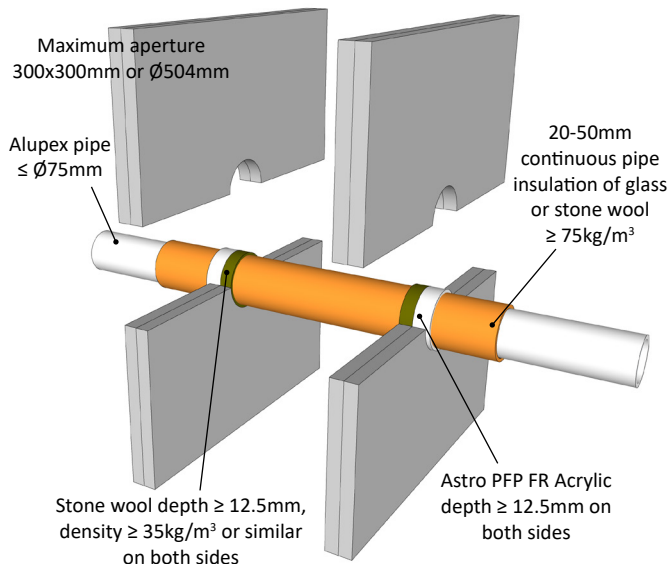
ALUPEX PIPE FIRE RESISTANCE EI 30 C/C (E 120)

≥ 120MM DRYWALLS, MASONRY OR CONCRETE WALLS



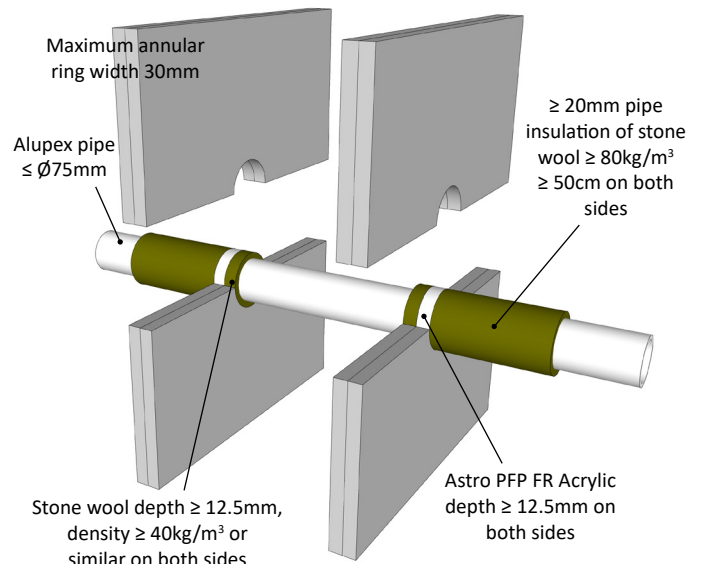
INSULATED ALUPEX PIPE FIRE RESISTANCE EI 120 C/C (E 120)

≥ 100MM DRYWALLS, MASONRY OR CONCRETE WALLS



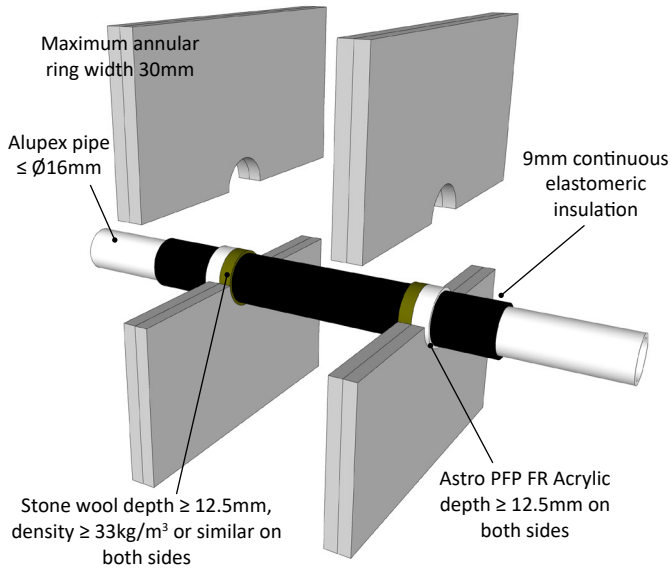
ALUPEX PIPE FIRE RESISTANCE EI 120 C/C (E 120)

≥ 100MM DRYWALLS, MASONRY OR CONCRETE WALLS



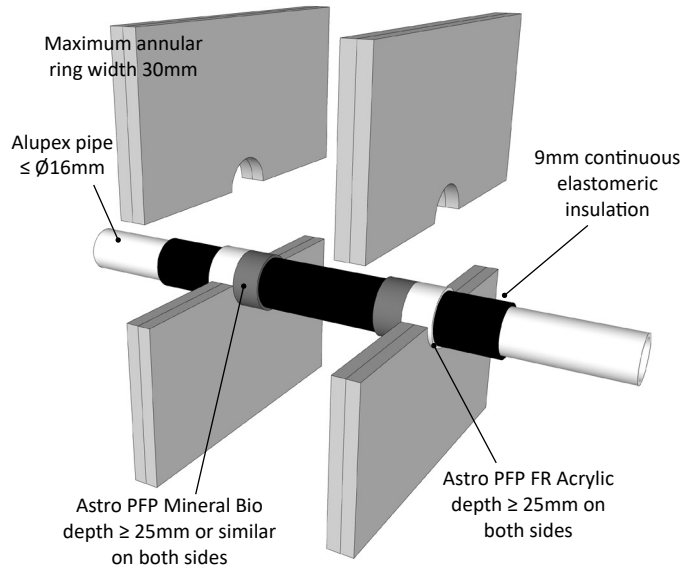
ALUPEX PIPE FIRE RESISTANCE EI 90 C/C (E 120)

≥ 100MM DRYWALLS, MASONRY OR CONCRETE WALLS



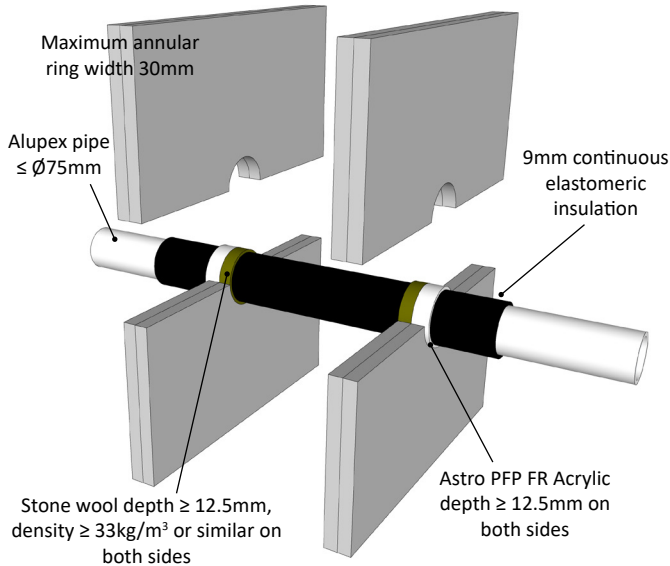
ALUPEX PIPE FIRE RESISTANCE EI 120 C/C (E 120)

≥ 100MM DRYWALLS, MASONRY OR CONCRETE WALLS



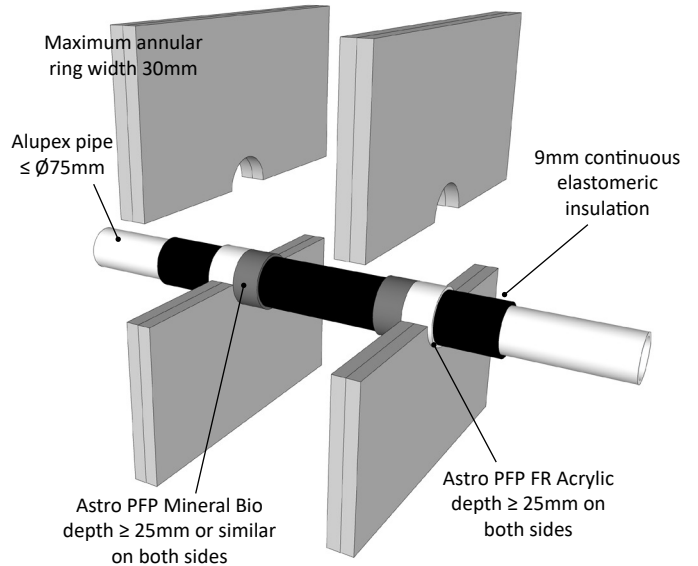
ALUPEX PIPE FIRE RESISTANCE EI 45 C/C (E 60)

≥ 100MM DRYWALLS, MASONRY OR CONCRETE WALLS



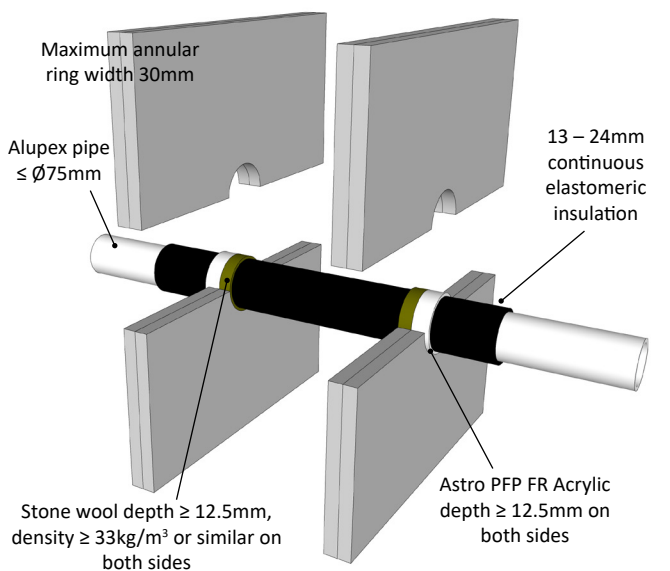
ALUPEX PIPE FIRE RESISTANCE EI 60 C/C (E 60)

≥ 120MM DRYWALLS, MASONRY OR CONCRETE WALLS



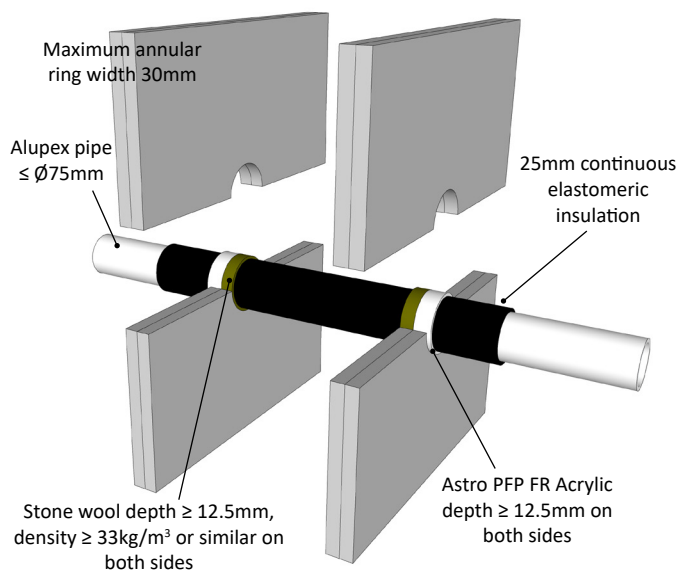
ALUPEX PIPE FIRE RESISTANCE EI 60 C/C (E 90)

≥ 100MM DRYWALLS, MASONRY OR CONCRETE WALLS



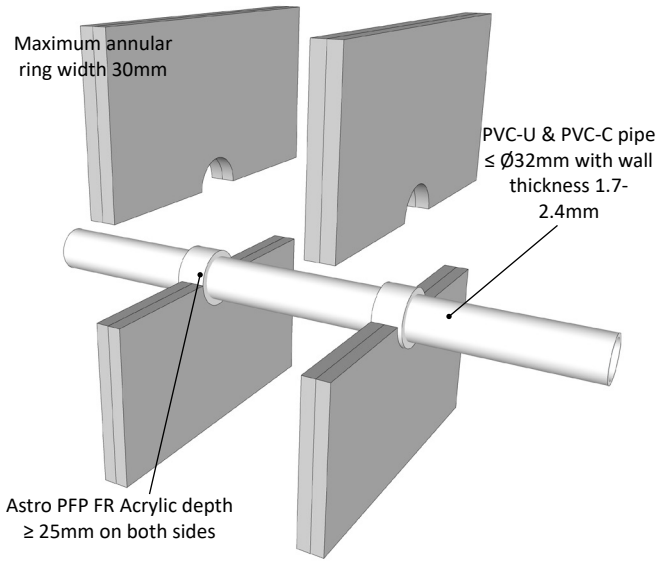
ALUPEX PIPE FIRE RESISTANCE EI 90 C/C (E 90)

≥ 100MM DRYWALLS, MASONRY OR CONCRETE WALLS



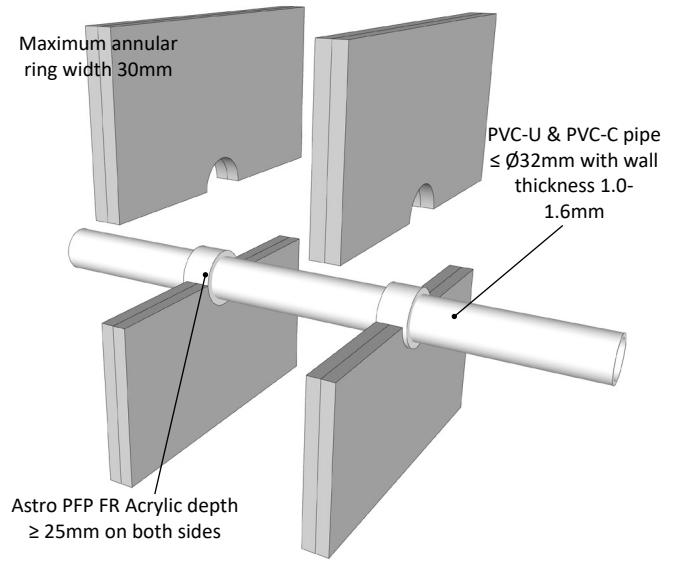
PVC PLASTIC PIPE FIRE RESISTANCE EI 90 U/C (E 120)

≥ 100MM DRYWALLS, MASONRY OR CONCRETE WALLS



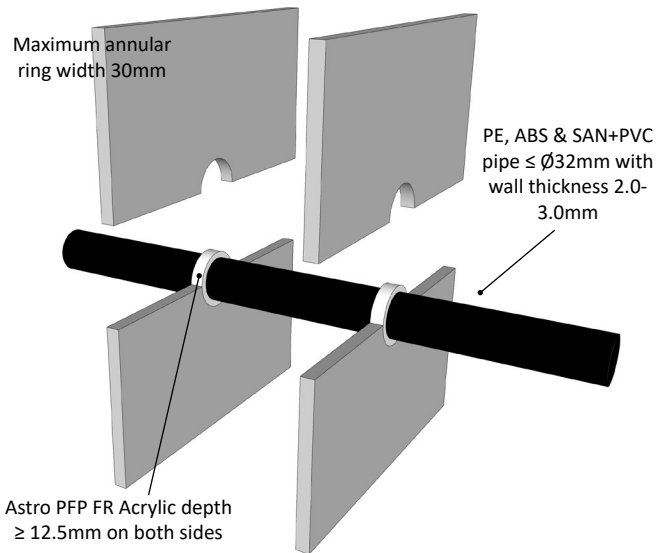
PVC PLASTIC PIPE FIRE RESISTANCE EI 120 C/C (E 120)

≥ 100MM DRYWALLS, MASONRY OR CONCRETE WALLS



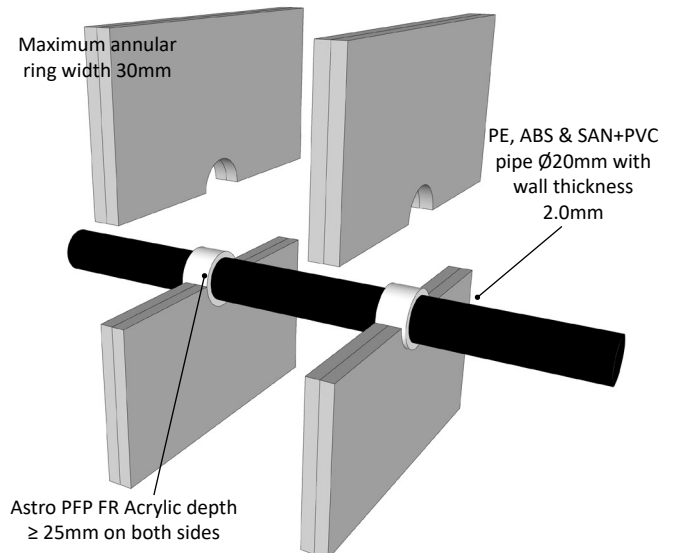
PE PLASTIC PIPE FIRE RESISTANCE EI 30 U/C (E 30)

≥ 75MM DRYWALLS, MASONRY OR CONCRETE WALLS



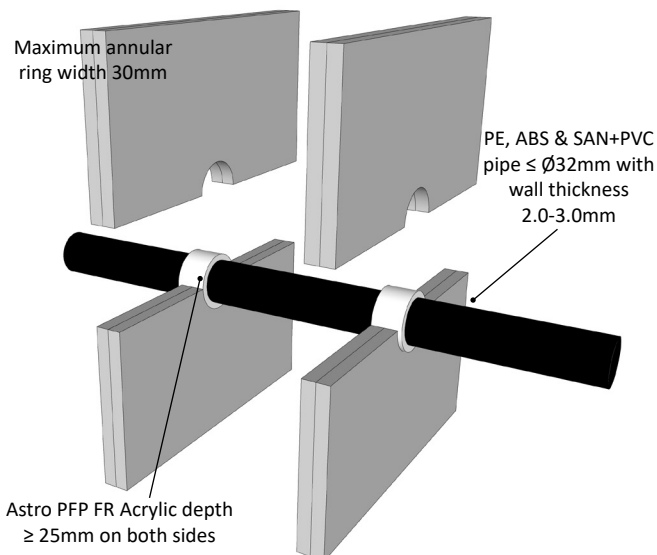
PE PLASTIC PIPE FIRE RESISTANCE EI 120 U/C (E 120)

≥ 100MM DRYWALLS, MASONRY OR CONCRETE WALLS



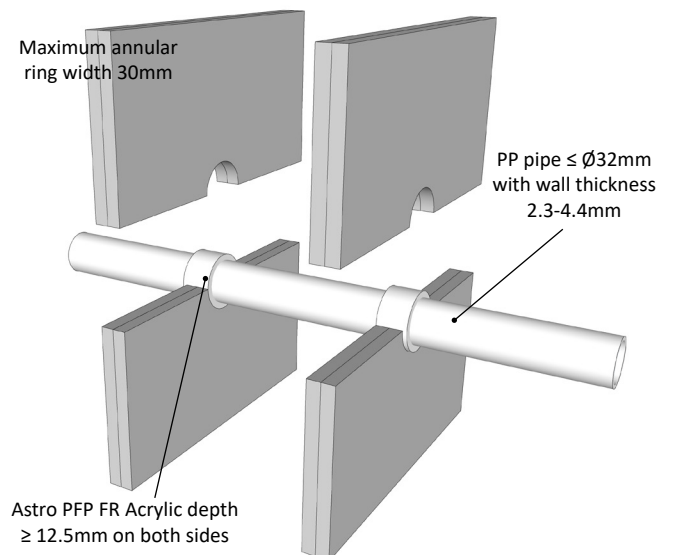
PE PLASTIC PIPE FIRE RESISTANCE EI 90 C/C (E 90)

≥ 100MM DRYWALLS, MASONRY OR CONCRETE WALLS



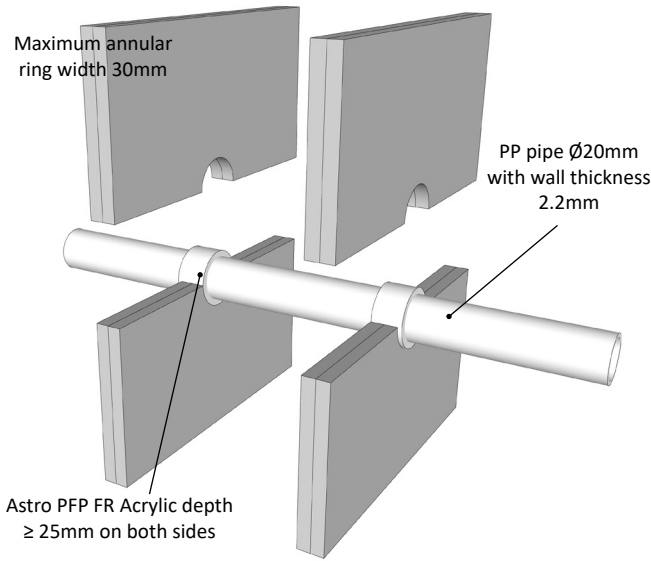
PP PLASTIC PIPE FIRE RESISTANCE EI 30 U/C (E 30)

≥ 75MM DRYWALLS, MASONRY OR CONCRETE WALLS



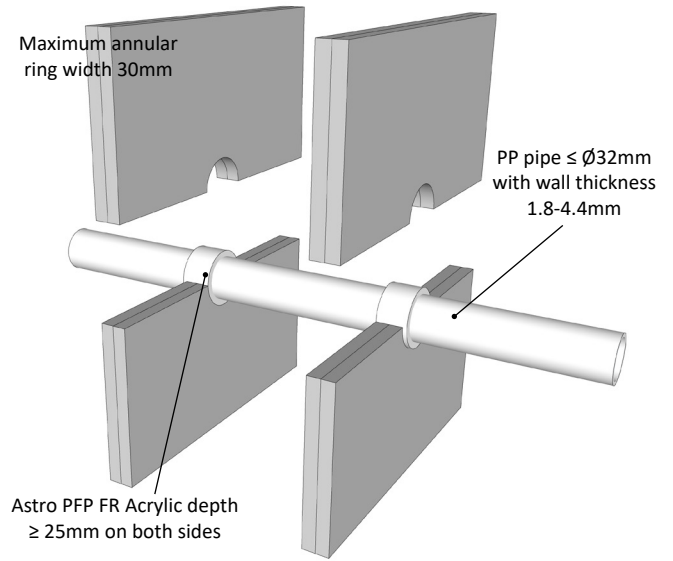
PP PLASTIC PIPE FIRE RESISTANCE EI 120 U/C (E 120)

≥ 100MM DRYWALLS, MASONRY OR CONCRETE WALLS



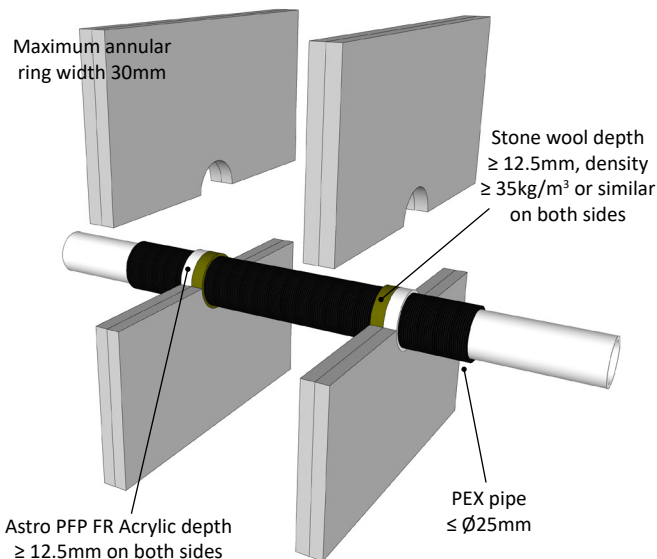
PP PLASTIC PIPE FIRE RESISTANCE EI 60 C/C (E 60)

≥ 100MM DRYWALLS, MASONRY OR CONCRETE WALLS



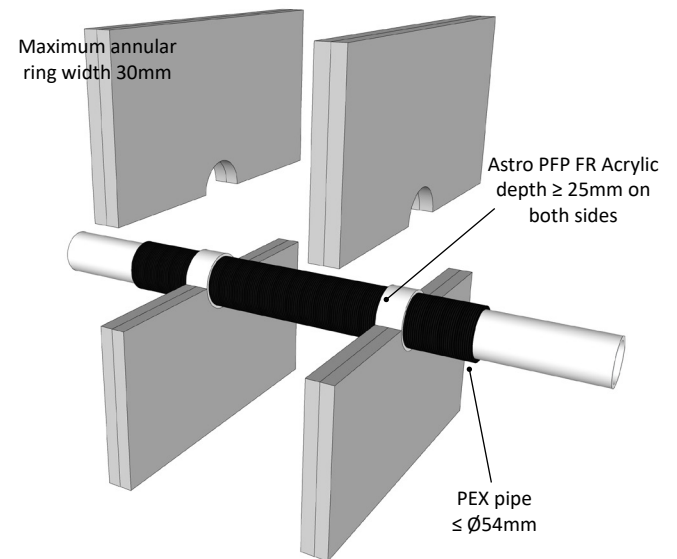
PEX PIPE-IN-PIPE SYSTEM FIRE RESISTANCE EI 120 C/C (E 120)

≥ 100MM DRYWALLS, MASONRY OR CONCRETE WALLS



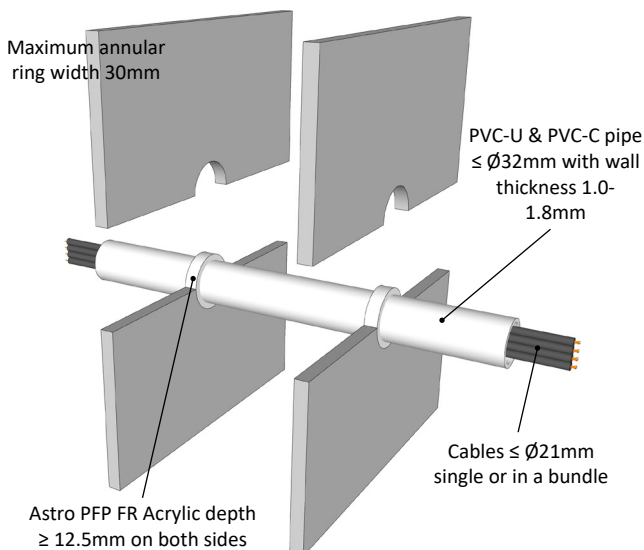
PEX PIPE-IN-PIPE SYSTEM FIRE RESISTANCE EI 45 C/C (E 60)

≥ 100MM DRYWALLS, MASONRY OR CONCRETE WALLS



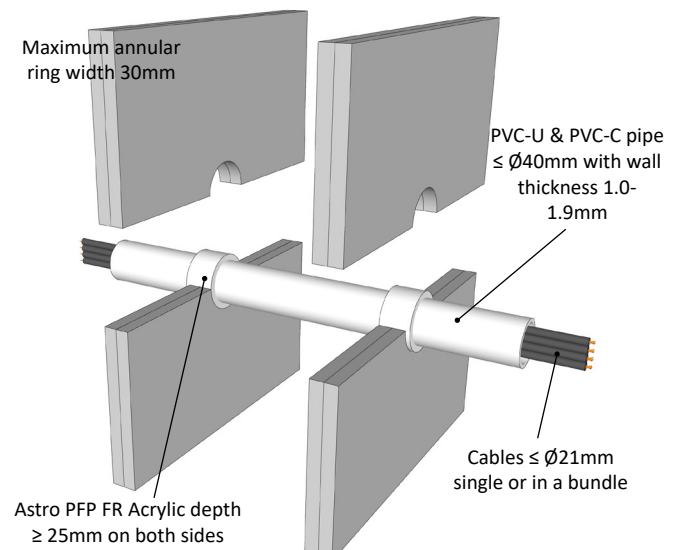
PVC CONDUIT FIRE RESISTANCE EI 45 U/C (E 60)

≥ 75MM DRYWALLS, MASONRY OR CONCRETE WALLS



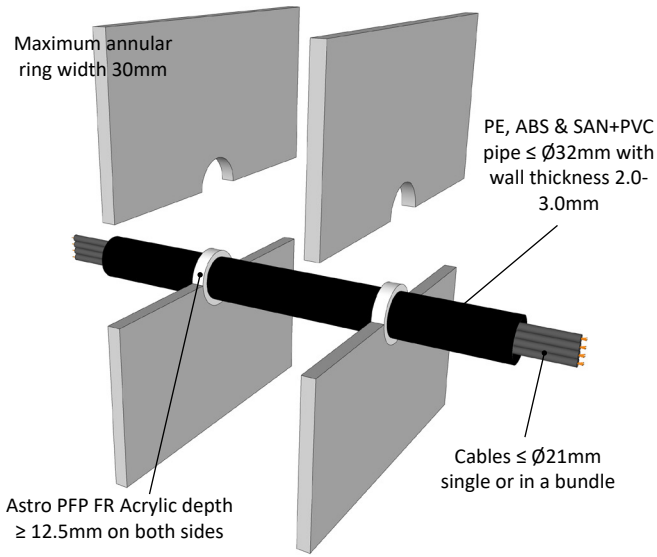
PVC CONDUIT FIRE RESISTANCE EI 120 U/C (E 120)

≥ 100MM DRYWALLS, MASONRY OR CONCRETE WALLS



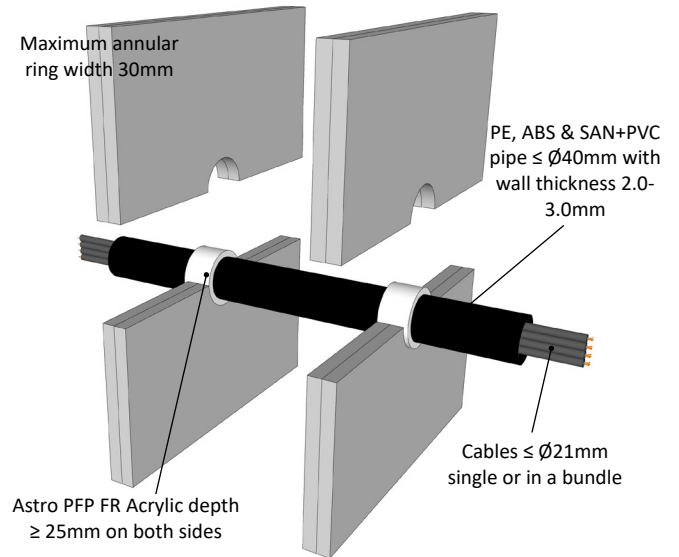
PE CONDUIT FIRE RESISTANCE EI 30 U/C (E 45)

≥ 100MM DRYWALLS, MASONRY OR CONCRETE WALLS



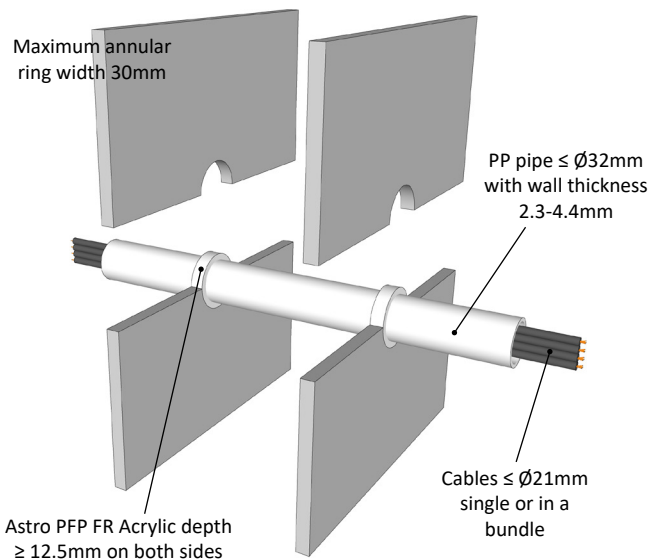
PE CONDUIT FIRE RESISTANCE EI 90 U/C (E 90)

≥ 100MM DRYWALLS, MASONRY OR CONCRETE WALLS



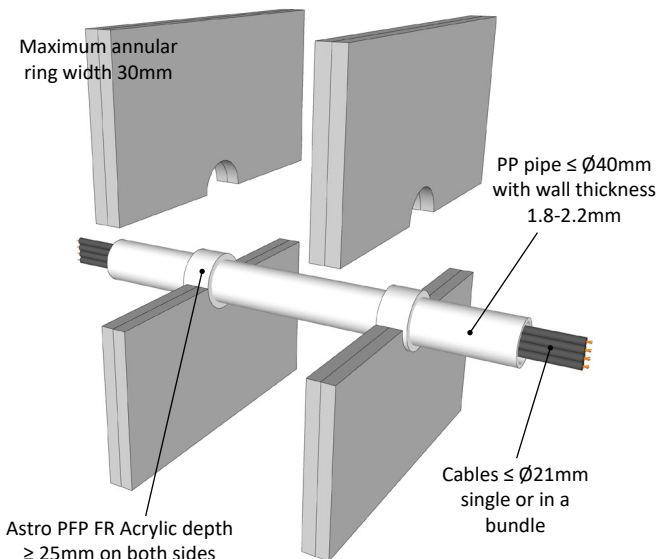
PP CONDUIT FIRE RESISTANCE EI 30 U/C (E 45)

≥ 75MM DRYWALLS, MASONRY OR CONCRETE WALLS



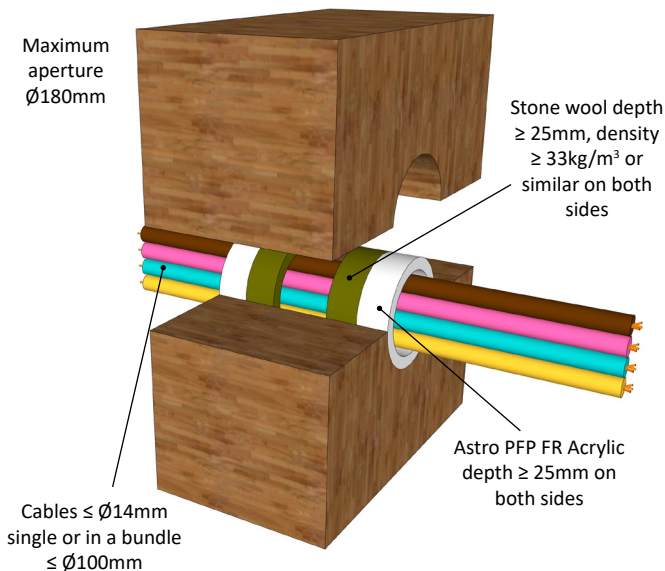
PP CONDUIT FIRE RESISTANCE EI 90 U/C (E 90)

≥ 100MM DRYWALLS, MASONRY OR CONCRETE WALLS



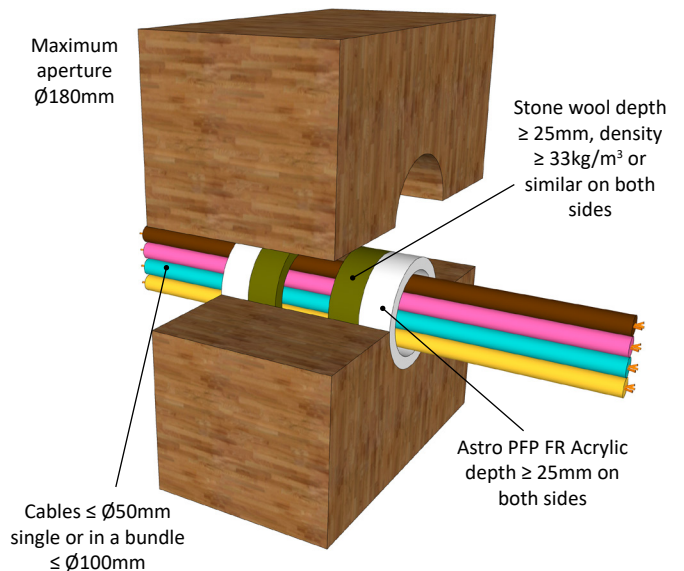
CABLES FIRE RESISTANCE EI 90 (E 90)

TIMBER WALLS



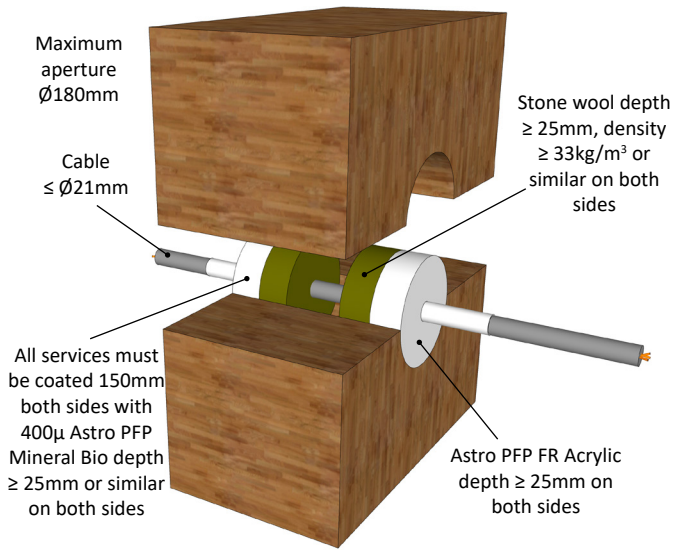
CABLES FIRE RESISTANCE EI 30 (E 90)

TIMBER WALLS



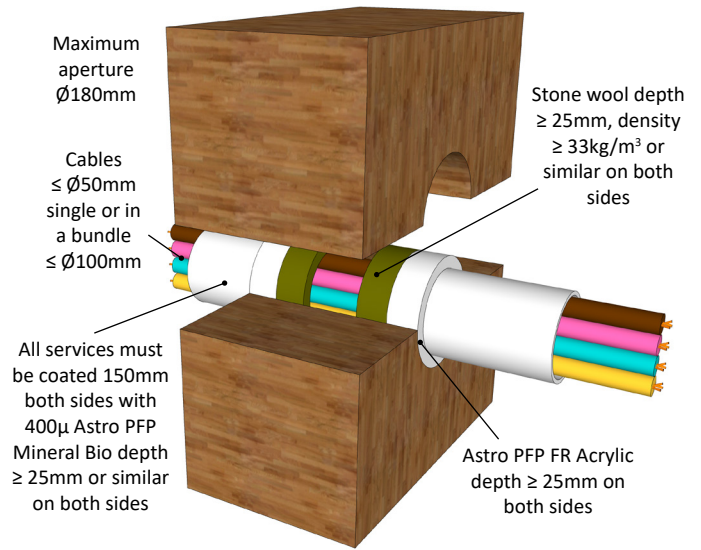
CABLE FIRE RESISTANCE EI 90 (E 90)

TIMBER WALLS



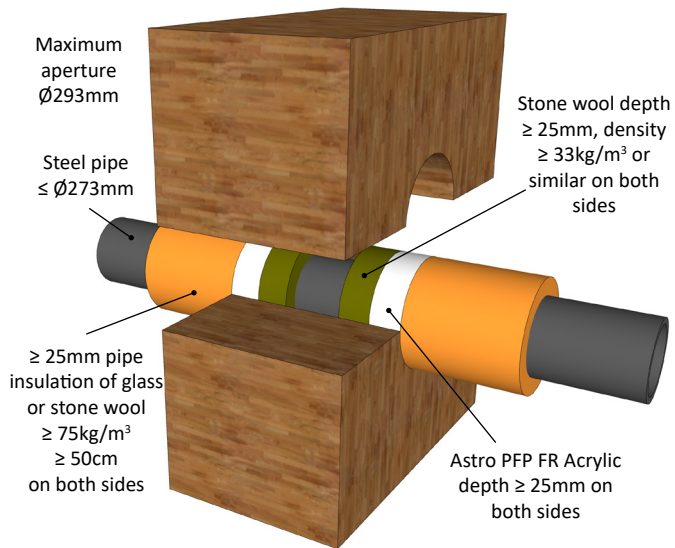
CABLES FIRE RESISTANCE EI 60 (E 90)

TIMBER WALLS



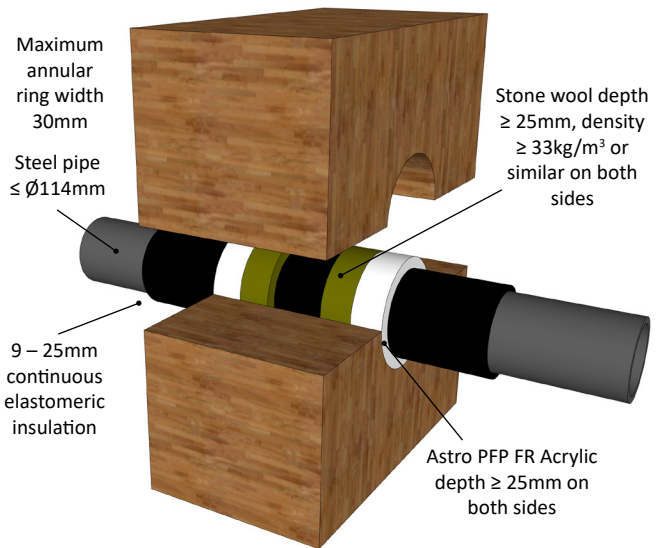
STEEL PIPE FIRE RESISTANCE EI 60 C/C (E 90)

TIMBER WALLS



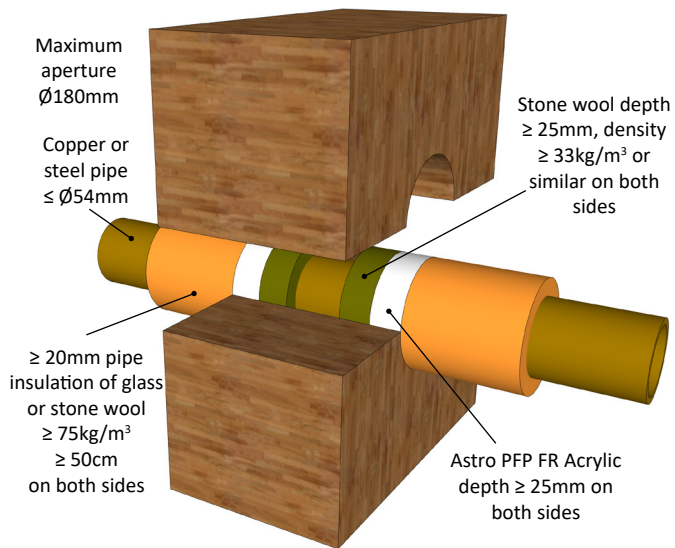
STEEL PIPE FIRE RESISTANCE EI 30 C/U (E 30)

TIMBER WALLS



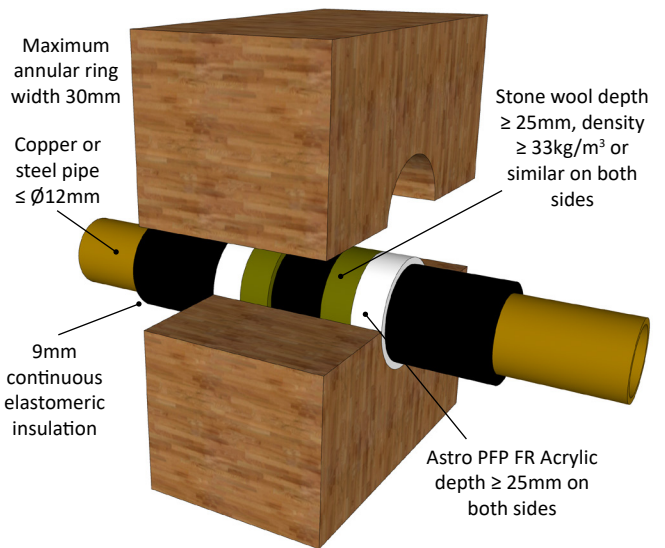
COPPER OR STEEL PIPE FIRE RESISTANCE EI 60 C/C (E 90)

TIMBER WALLS



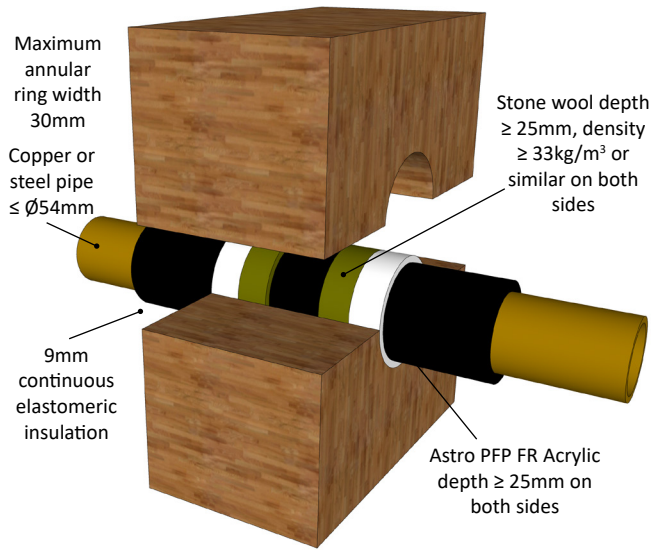
COPPER OR STEEL PIPE FIRE RESISTANCE EI 60 C/C (E 90)

TIMBER WALLS



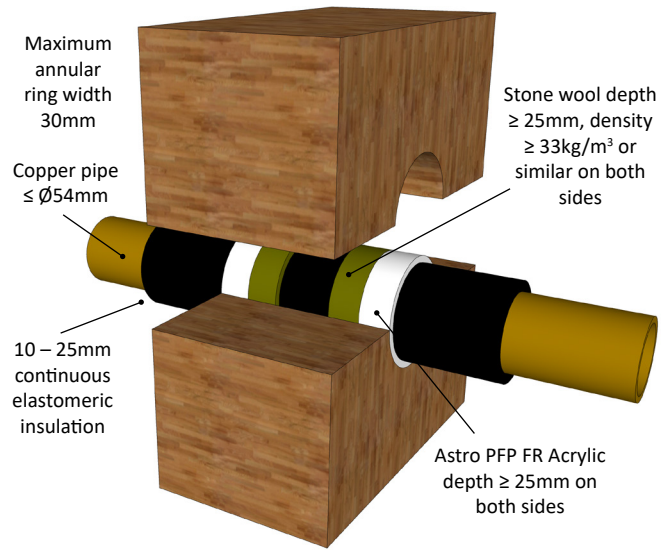
COPPER OR STEEL PIPE FIRE RESISTANCE EI 30 C/C (E 60)

TIMBER WALLS



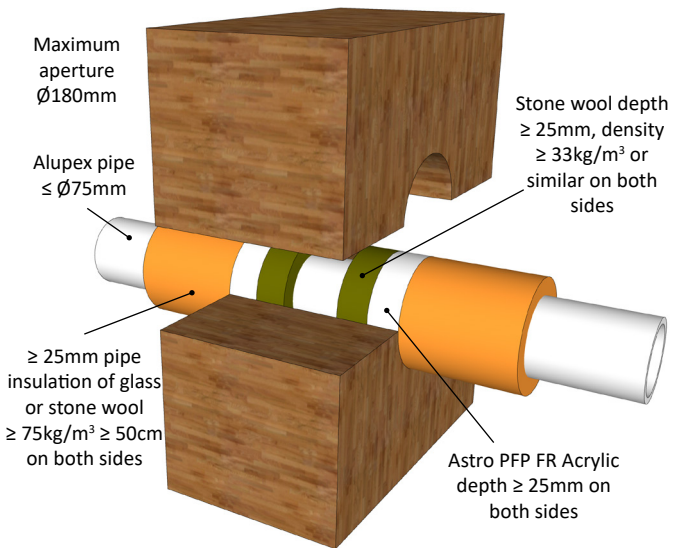
COPPER PIPE FIRE RESISTANCE EI 20 C/C (E 30)

TIMBER WALLS



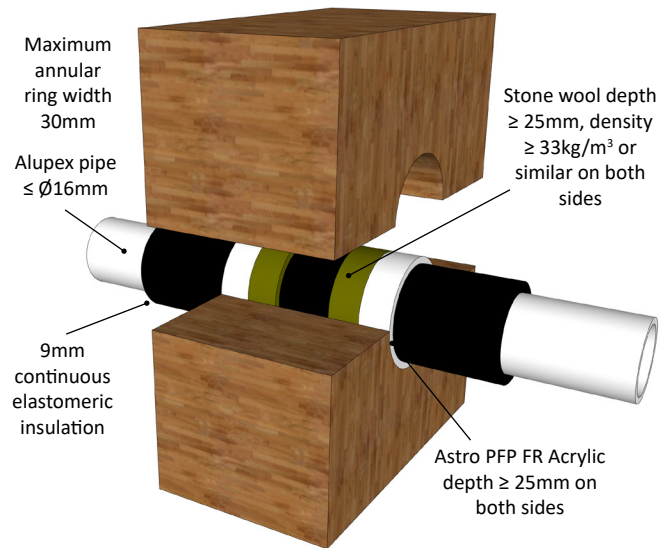
ALUPEX PIPE FIRE RESISTANCE EI 90 C/C (E 90)

TIMBER WALLS



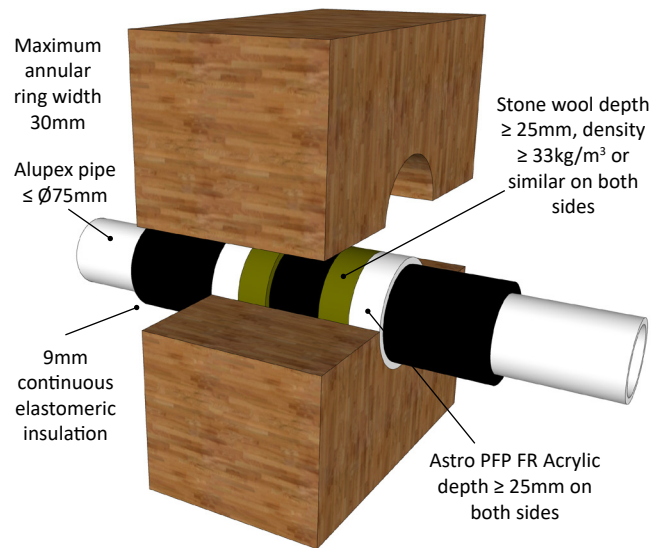
ALUPEX PIPE FIRE RESISTANCE EI 90 C/C (E 90)

TIMBER WALLS



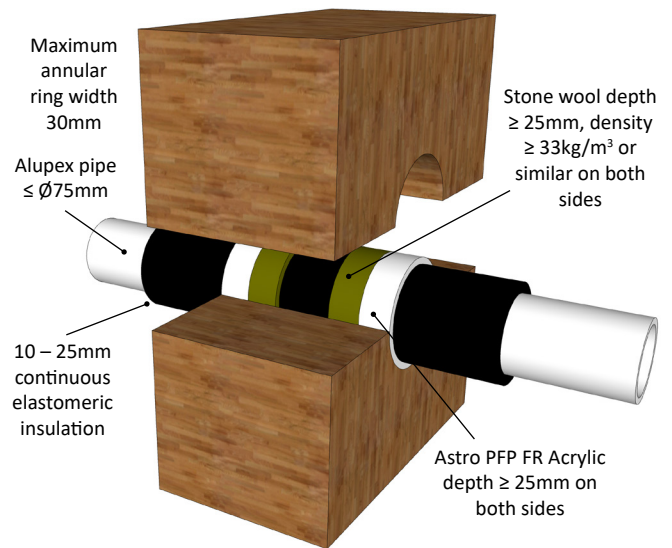
ALUPEX PIPE FIRE RESISTANCE EI 45 C/C (E 60)

TIMBER WALLS



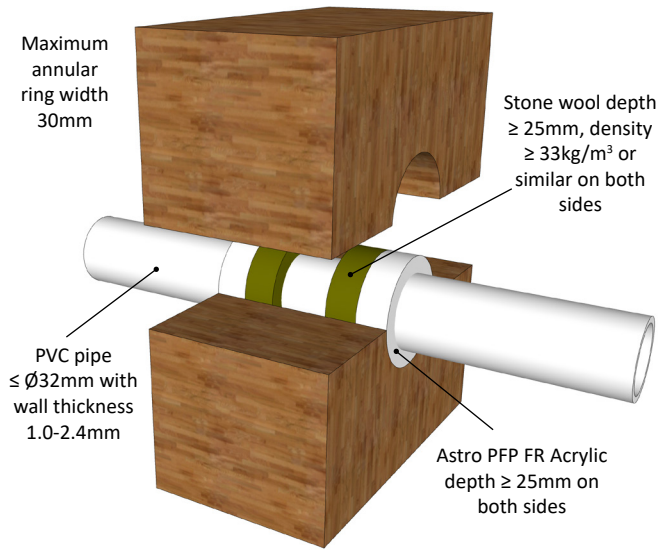
ALUPEX PIPE FIRE RESISTANCE EI 45 C/C (E 45)

TIMBER WALLS



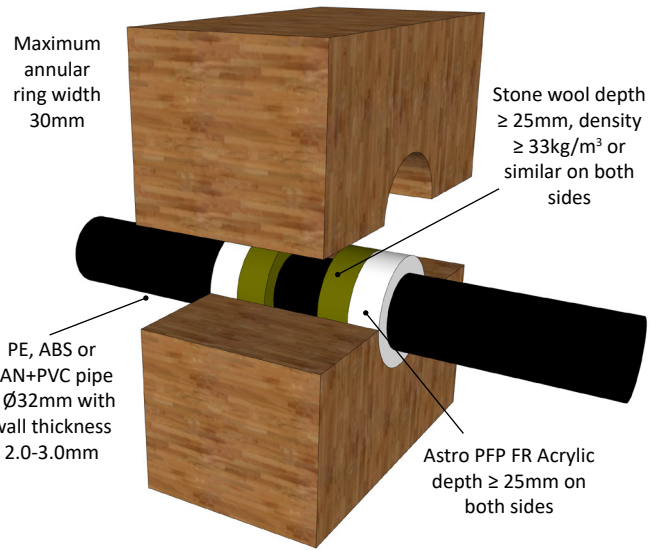
PVC PIPE FIRE RESISTANCE EI 90 U/C (E 90)

TIMBER WALLS



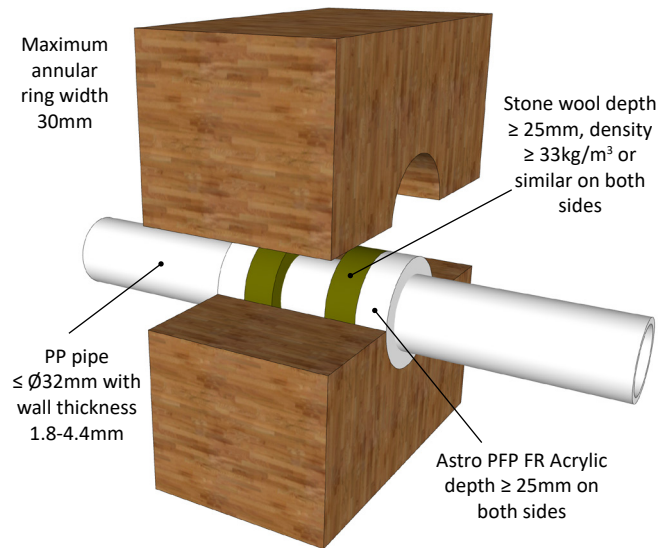
PE PIPE FIRE RESISTANCE EI 90 U/C (E 90)

TIMBER WALLS



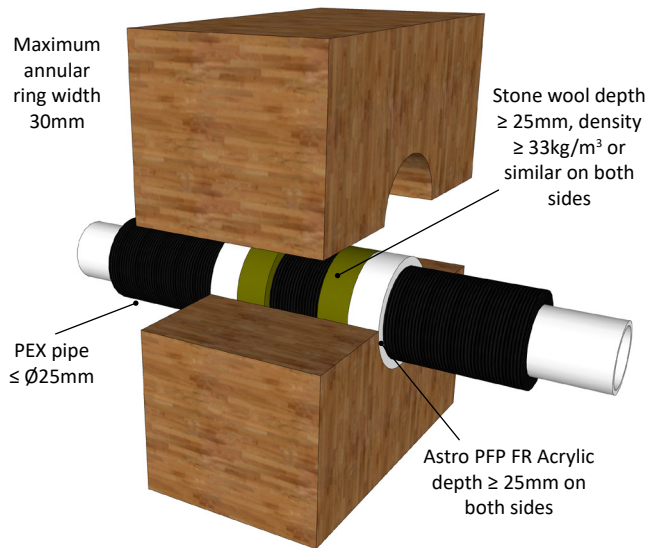
PP PIPE FIRE RESISTANCE EI 90 U/C (E 90)

TIMBER WALLS



PEX PIPE-IN-PIPE SYSTEM FIRE RESISTANCE EI 90 C/C (E 90)

TIMBER WALLS



As part of our policy of ongoing improvements, we reserve the right to modify, alter or change product specifications without giving notice. Product illustrations are representations only. All information contained in this document is provided for guidance only, and as ASTROFLAME (FIRE SEALS) LTD has no control over the specific application or installation methods of the products, or of the prevailing site conditions, no warranties expressed or implied are intended to be given as to the actual performance of the products mentioned or referred to, and no liability whatsoever will be accepted for any loss, damage or injury arising from the use of the information given of products mentioned or referred to herein.

The above information to the best of our knowledge is true and accurate and based upon current test data and is supplied for your guidance only. Customers should satisfy themselves to the suitability of the product based on the products limitation of applications and that the product is fit for purpose for their intended use and no guarantee is given or implied since the conditions of actual use are beyond our control. ASTROFLAME (FIRE SEALS) LTD, disclaim any liability for loss, damage or other expense arising from the use of information, data or products mentioned or referred to and reserve the right to change any details or specifications without notice. If you are in any doubt as to the suitability of this product for your intended application please contact our technical team on 01329 844500 or email sales@astroflame.com and we will contact you.